

[See all 22 Products in Family](#)

Z Axis Bracket for 0.125" Stages(A)



#57-247: Z Axis Bracket for 0.125" Stages(A)

Stock **#57-247** [CONTACT US](#)

1 £88.⁰⁰

[ADD TO CART](#)

Volume Pricing

Qty 1+	£88.80 each
Need More?	Request Quote

! Prices shown are exclusive of VAT/local taxes

Product Downloads

General

Adapter Brackets & Plates **Type:**

Regulatory Compliance

RoHS 2015:
[Compliant](#)

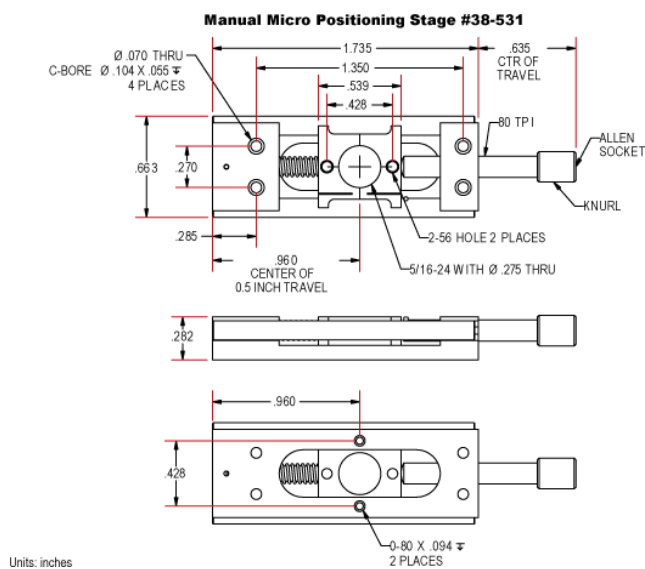
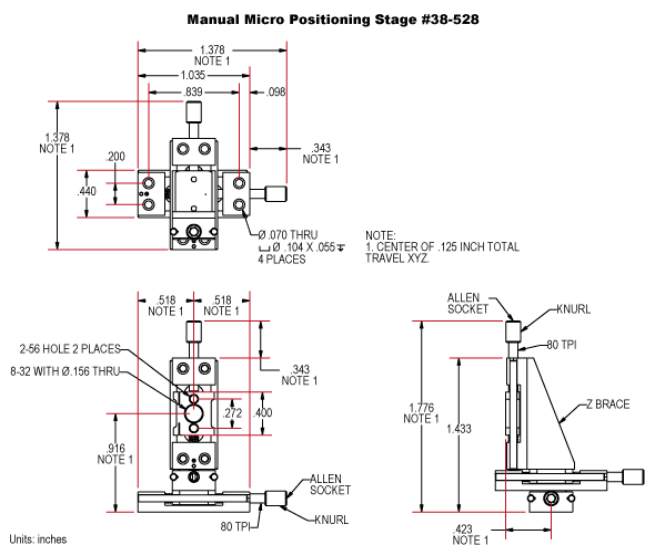
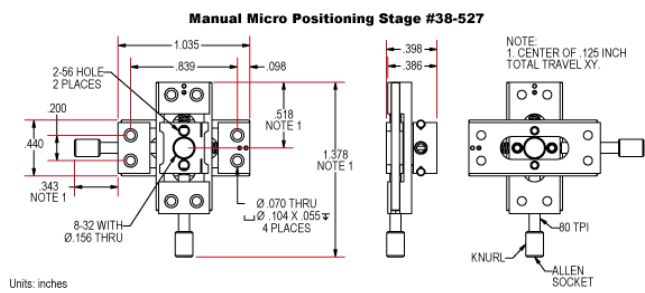
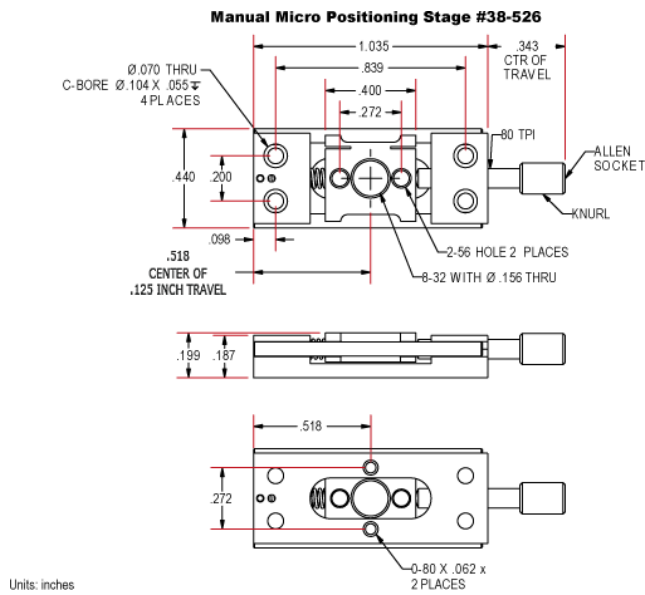
Certificate of Conformance:
[View](#)

Product Details

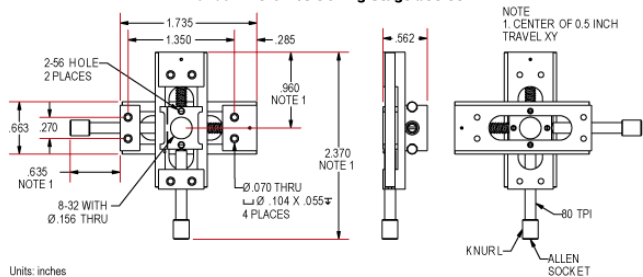
- Two Micro Sizes Available
- Versions with Covered Rails
- Three Travel Selections
- X, XY, and XYZ Axis Models

These stages are a dimensional breakthrough and the smallest positioners available today. Positive spring loaded carriage provides precise, smooth motion with no backlash. Straight line accuracy under 2 microns. Features fine 80 TPI lead screw drive. The larger series, Stage Size B, are for longer travel, higher load applications. Fully metric compatible clearance holes. Covered Rail versions are slightly wider, but offer protection for the guide rails. Accessories allow for mounting our precision pinholes for spatial filtering applications. Anodized aluminum construction with stainless rails.

Technical Information

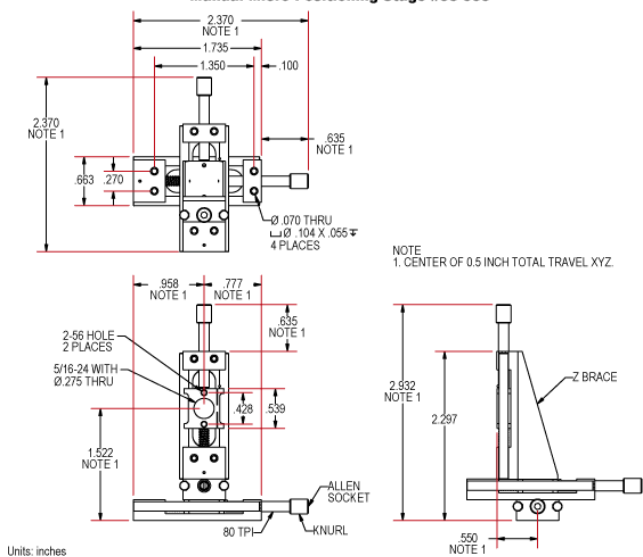


Manual Micro Positioning Stage #38-532



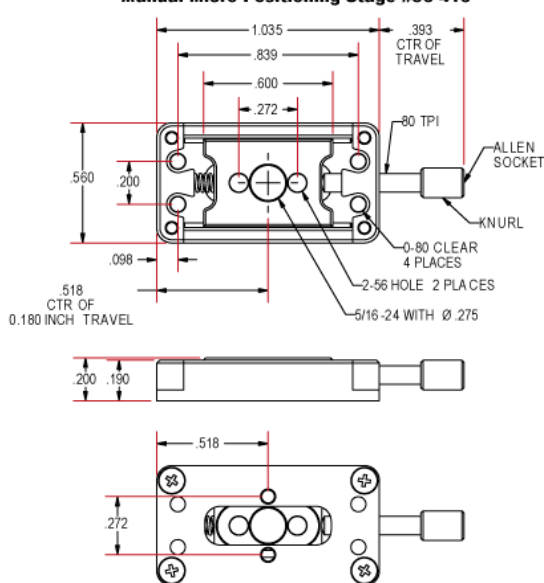
Units: inches

Manual Micro Positioning Stage #38-533



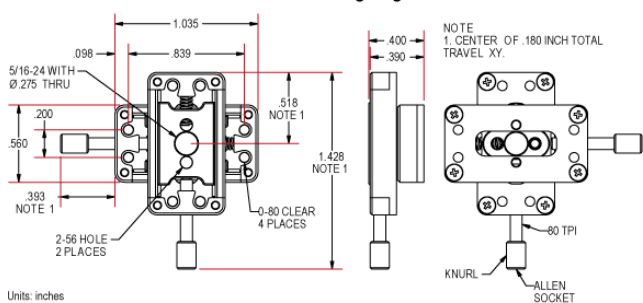
Units: inches

Manual Micro Positioning Stage #56-416



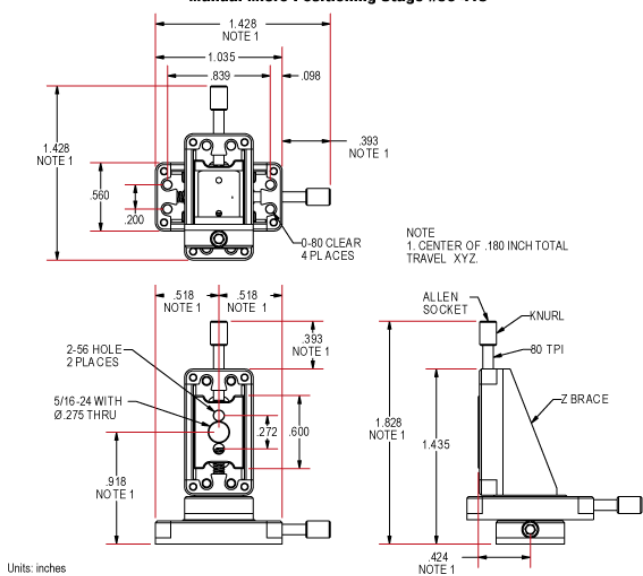
Units: inches

Manual Micro Positioning Stage #56-417



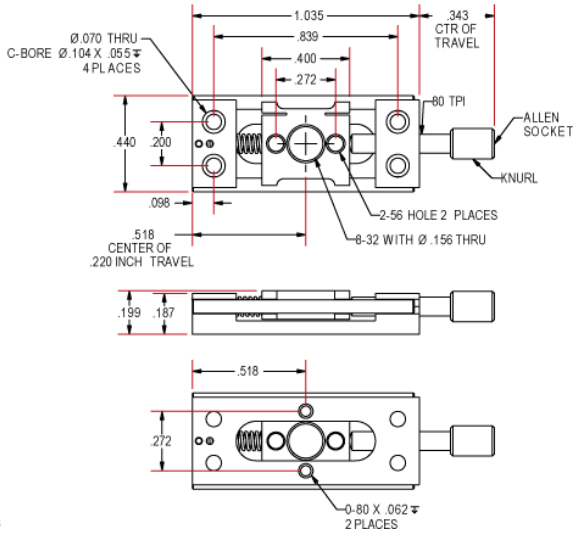
Units: inches

Manual Micro Positioning Stage #56-418



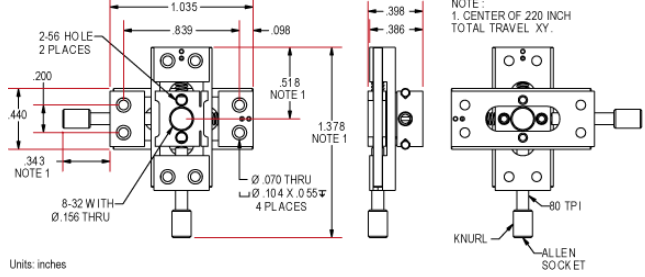
Units: inches

Manual Micro Positioning Stage #56-419



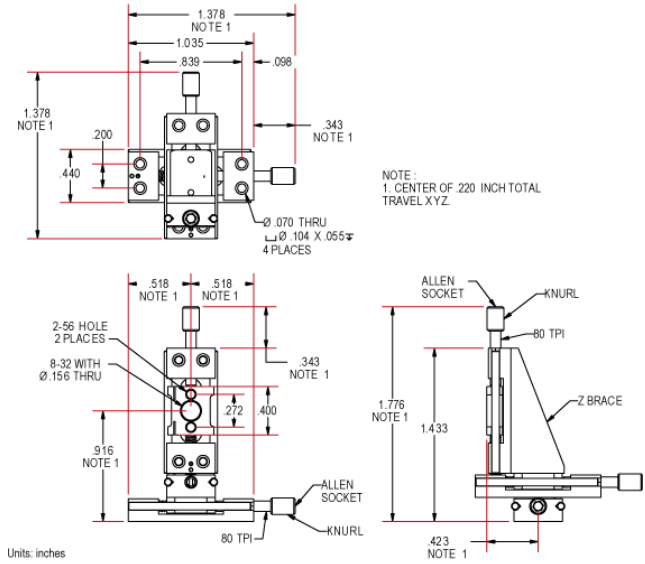
Units: inches

Manual Micro Positioning Stage #56-420



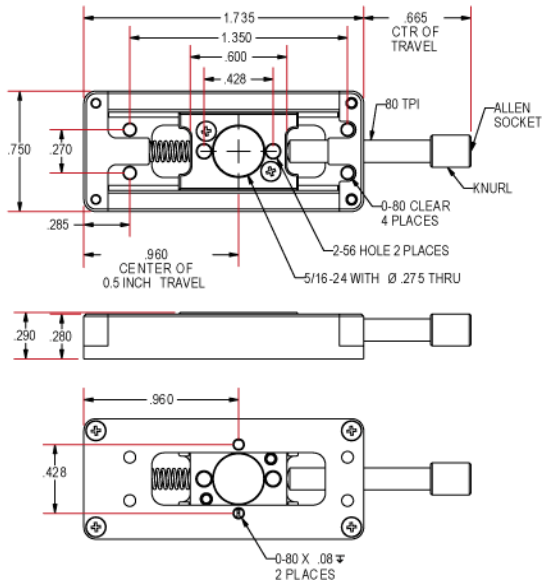
Units: inches

Manual Micro Positioning Stage #56-421



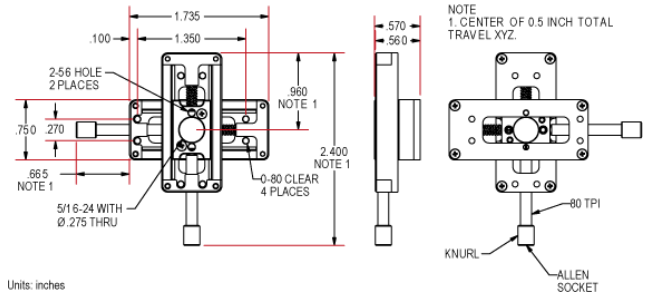
Units: inches

Manual Micro Positioning Stage #56-422



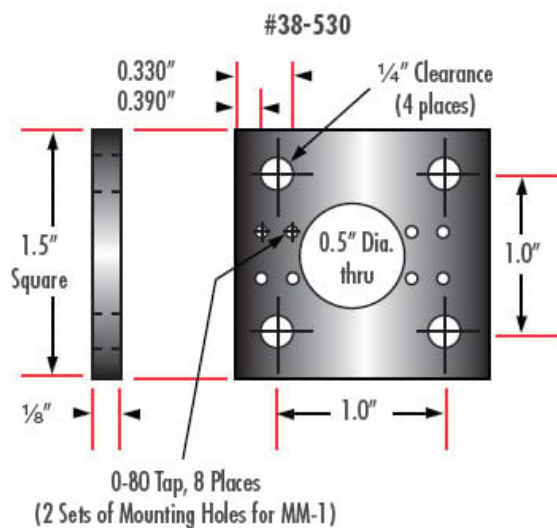
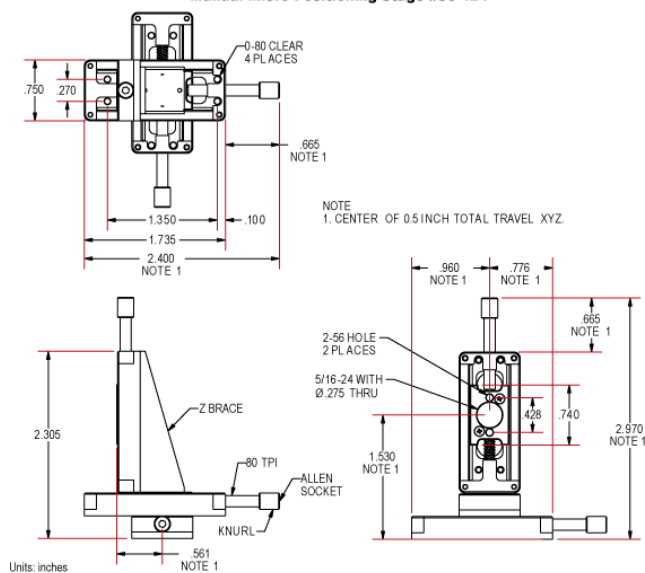
Units: inches

Manual Micro Positioning Stage #56-423

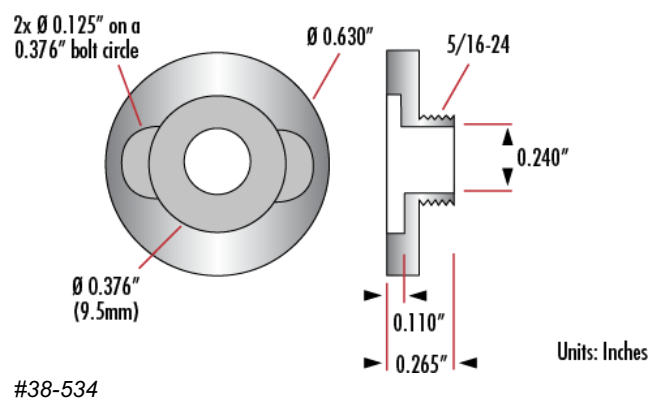


Units: inches

Manual Micro Positioning Stage #56-424



Pinhole Adapter for Stage Type B, #38-534



Pinhole Adapter for Stage Type A, #38-529

