

## VZM™ 300 Zoom Imaging Lens



VZM™ 300

Stock #39-708 **2 In Stock**

⊖ 1 ⊕ £1,152<sup>00</sup>

**ADD TO CART**

### Volume Pricing

|            |                               |
|------------|-------------------------------|
| Qty 1+     | £1,152.00 each                |
| Need More? | <a href="#">Request Quote</a> |

ⓘ Prices shown are exclusive of VAT/local taxes

### Product Downloads

### General

High Magnification Zoom Lens **Type:**

### Physical & Mechanical Properties

151.00 **Length excluding Threads (mm):**

56.5 **Maximum Diameter (mm):**

**Weight (g):**

## Optical Properties

**Horizontal Field of View, 2/3" Sensor:**

11.4 - 2.8mm

**Horizontal Field of View, 1/2" Sensor:**

8.0 - 2.0mm

**Working Distance Tolerance (mm):**

±3

**Resolution, Object Space:**

46.5 - 105 lp/mm

**Resolution, Image Space:**

62 - 35 lp/mm

**Zoom Ratio:**

4:1

**Primary Magnification PMAG:**

0.75X- 3X

**Working Distance (mm):**

60.00

**Lens Wavelength Range:**

VS

## Sensor

**Maximum Sensor Format:**

2/3"

## Threading & Mounting

**Mount:**

C-Mount

## Regulatory Compliance

**Certificate of Conformance:**

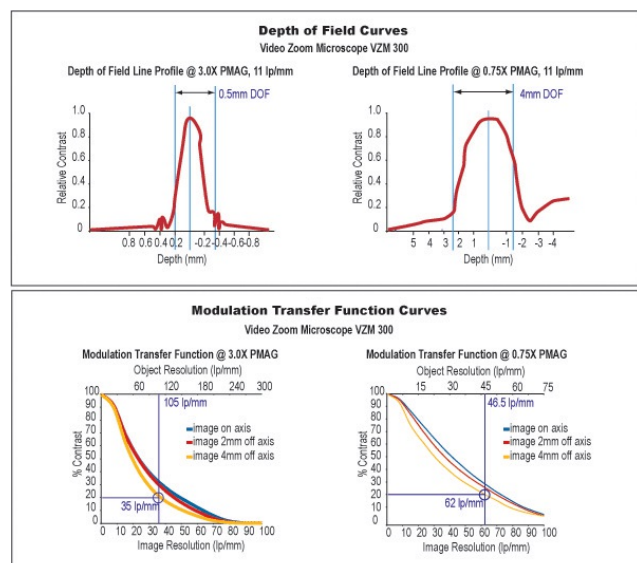
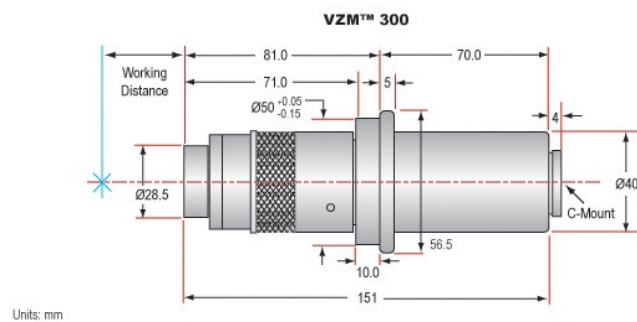
[View](#)

## Product Details

- Designed to Accomodate up to 2/3" Sensor Size Formats
- Dependable, Versatile Performance in Compact Designs
- Analog and Digital [Imaging Systems](#) Available

VZM™ Zoom Imaging Lenses enable inspection of a wide range of objects without the inconvenience of changing working distances. In addition, the parfocal zoom allows magnifications to be easily changed without refocusing. These economical lenses are available in working distances ranging from 35mm to 175mm and offer a maximum 2/3" sensor format. Iris versions (i-series) all have locking iris, front filter thread, removable mounting flange, and optional zoom lock. All lenses have a 50mm diameter flange (removable on iris versions except 450i Right Angle) for mounting. VZM™ Zoom Imaging Lenses are ideal for inspection of integrated circuits and solder joints. Also suited for quality control and laboratory inspection needs, as well as surface analysis.

## Technical Information



| VZM Model           | 100i                     | 200i                     | 300                      | 300i                     | 450                      | 450i                     | 600i                     | 1000                     | 1000i                    |
|---------------------|--------------------------|--------------------------|--------------------------|--------------------------|--------------------------|--------------------------|--------------------------|--------------------------|--------------------------|
| Zoom Ratio          | 4:1                      | 4:1                      | 4:1                      | 4:1                      | 6.4:1                    | 6:1                      | 6:1                      | 4:1                      | 4:1                      |
| Magnification       | 0.25 - 1X                | 0.5 - 2X                 | 0.75 - 3X                | 0.75 - 3X                | 0.7 - 4.5X               | 0.75 - 4.5X              | 1 - 6X                   | 2.5 - 10X                | 2.5 - 10X                |
| Manual Iris         | <input type="checkbox"/> | <input type="checkbox"/> |                          | <input type="checkbox"/> |                          | <input type="checkbox"/> | <input type="checkbox"/> |                          | <input type="checkbox"/> |
| Rotatable Mount     | <input type="checkbox"/> | <input type="checkbox"/> |                          | <input type="checkbox"/> |                          | <input type="checkbox"/> | <input type="checkbox"/> |                          | <input type="checkbox"/> |
| Zoom Lock Adapter   | <input type="checkbox"/> | <input type="checkbox"/> |                          | <input type="checkbox"/> |                          | <input type="checkbox"/> | <input type="checkbox"/> |                          | <input type="checkbox"/> |
| Motorized Version   |                          |                          | <input type="checkbox"/> |                          | <input type="checkbox"/> |                          |                          | <input type="checkbox"/> |                          |
| Right Angle Version |                          |                          |                          |                          |                          | <input type="checkbox"/> |                          |                          |                          |

| Primary Magnification        | With 0.5X Lens |              |
|------------------------------|----------------|--------------|
|                              | Minimum 0.25X  | Maximum 1.0X |
| FOV (1/2" Horizontal Sensor) | 24.0mm         | 6.0mm        |
| Resolution in Object Space   | 10 lp/mm       | 40 lp/mm     |
| Resolution in Image Space    | 40 lp/mm       | 40 lp/mm     |
| Working Distance (±3mm)      | 152mm          | 152mm        |

| Primary Magnification        | With 0.5X Lens |               |
|------------------------------|----------------|---------------|
|                              | Minimum 0.35X  | Maximum 2.25X |
| FOV (1/2" Horizontal Sensor) | 17.6mm         | 2.8mm         |
| Resolution in Object Space   | 12 lp/mm       | 80 lp/mm      |
| Resolution in Image Space    | 34 lp/mm       | 35.5 lp/mm    |
| Working Distance (±3mm)      | 147mm          | 147mm         |

| Primary Magnification        | With 0.5X Lens |               | With 0.25X Lens |                |
|------------------------------|----------------|---------------|-----------------|----------------|
|                              | Minimum 0.35X  | Maximum 2.25X | Minimum 0.175X  | Maximum 1.125X |
| FOV (1/2" Horizontal Sensor) | 17.6mm         | 2.8mm         | 35.2mm          | 5.6mm          |
| Resolution in Object Space   | 12 lp/mm       | 80 lp/mm      | 6 lp/mm         | 40 lp/mm       |
| Resolution in Image Space    | 34 lp/mm       | 35.5 lp/mm    | 34 lp/mm        | 35.5 lp/mm     |
| Working Distance (±3mm)      | 147mm          | 147mm         | 275mm           | 275mm          |

;