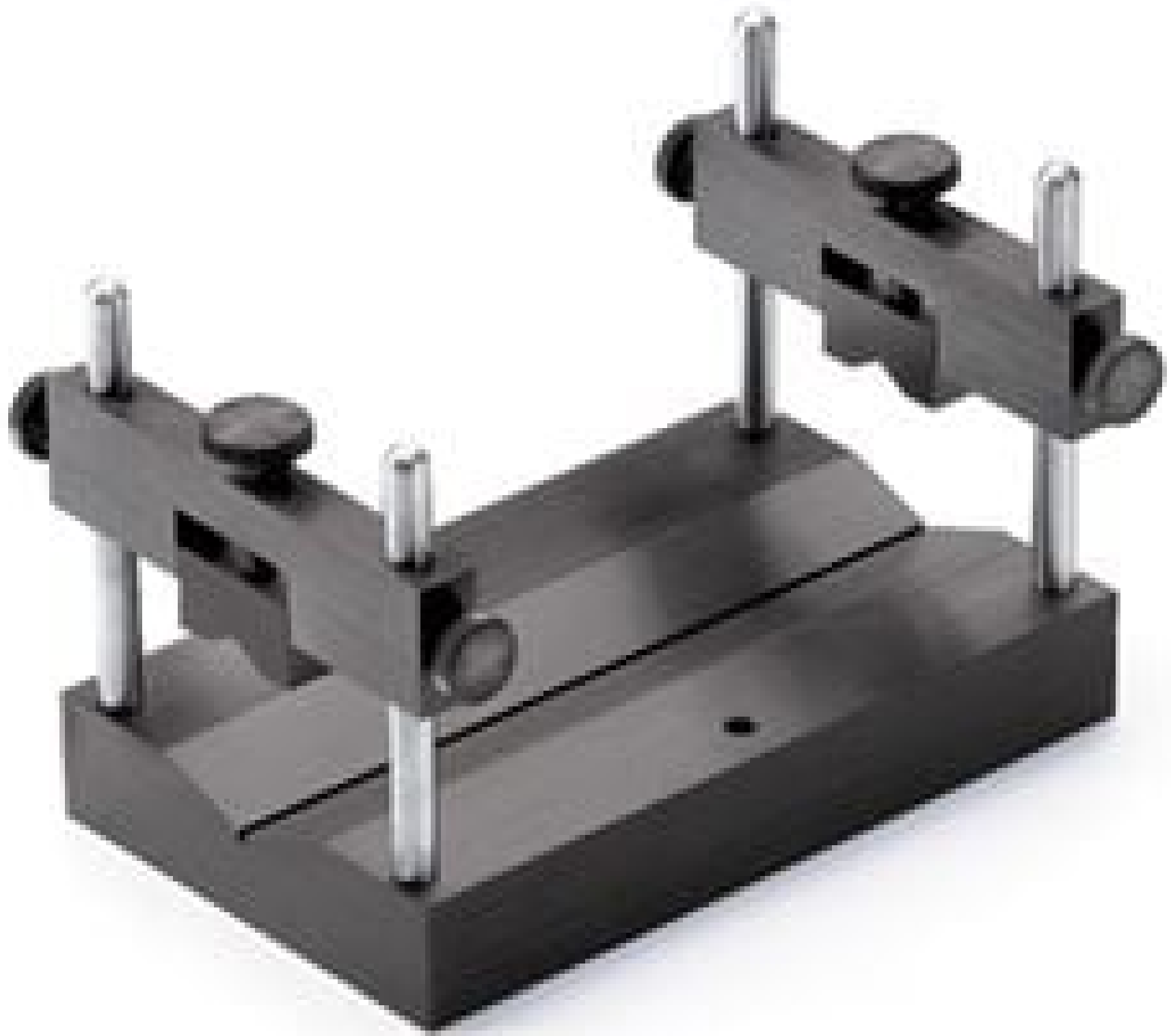


V-Block Base with Clamps



Stock #03-665 **10 In Stock**

- 1 + £244.⁰⁰

ADD TO CART

Volume Pricing

Qty 1-4	£244.00 each
Qty 5-9	£215.84 each
Qty 10-49	£198.80 each
Need More?	Request Quote

! Prices shown are exclusive of VAT/local taxes

Product Downloads

General

Type:
Fixed

Type of Optics:
Cylindrical Tube

Physical & Mechanical Properties

Construction:
Black Anodized Aluminum, Stainless Steel Post

Threading & Mounting

Size of Compatible Optics (mm):
5.6 - 67.9

Compatible Post:
1/4-20

Regulatory Compliance

RoHS 2015:
Compliant

Reach 224:
Compliant

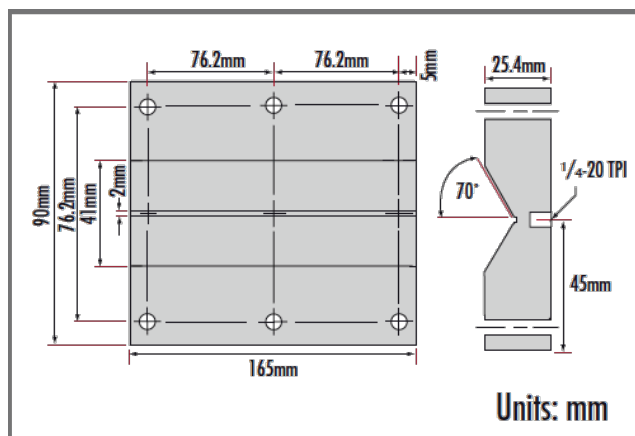
Certificate of Conformance:
View

Product Details

- Adjustable Height Bar Clamp Included with [#03-665](#)
- Ideal for Mounting Laser Tubes and Large Optical Elements
- 1/4-20 Tap Hole Allows Mounting to 0.50" Diameter Post

Our V-Block base is ideal for mounting laser tubes and optical elements thick enough to stand vertically on edge (such as most achromats). The six 1/4-20 tap holes around the base are designed to accept clamp posts, but may also be used to mount the V-Block. A 1/4-20 tap hole in the center of the base allows mounting to any 0.50" diameter post. Adjustable height bar-type clamp secures components in the V-Block.

Technical Information



V-Block Base