

## Top-Screw Model, Threaded Base - Metric Mirror Mount



Stock #56-343 **15 In Stock**

- 1 + £148.<sup>80</sup>

**ADD TO CART**

### Volume Pricing

Qty 1-4	£148.80 each
Qty 5-9	£131.84 each
Qty 10-25	£121.52 each
Need More?	<a href="#">Request Quote</a>

! Prices shown are exclusive of VAT/local taxes

### Product Downloads

### General

Adjustable - Tip-Tilt **Type:**

Square or Rectangular **Type of Optics:**

### Physical & Mechanical Properties

0.11 **Weight (kg):**

**Construction:**  
Black Anodized Aluminum, Stainless Steel

**Fine Tilt Angle (°):**  
±3

**Fine Tip Angle (°):**  
±3

**Adjustment Screw Position:**  
Top

**Resolution (mm):**  
0.25

## Threading & Mounting

**Size of Compatible Optics (mm):**  
3.0 - 25.4

**Compatible Post:**  
M6 x 1.0

## Regulatory Compliance

**RoHS 2015:**  
[Exempt](#)

**Certificate of Conformance:**  
[View](#)

**Reach 247:**  
[Contains SVHC\(s\)](#)

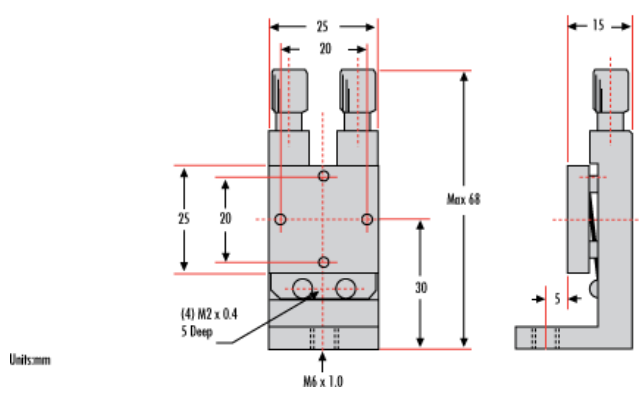
## Product Details

- Two-Axis Tilt Control
- 25mm Square Mounting Surfaces
- Back or Top Screw Options
- Slotted or Threaded Based Options
- Black Anodized Aluminum
- [Posts](#) and [Post Holders](#) Required for Mounting

These micro-sized Mirror Mounts are ideal for use in restricted spaces. Each offers a 25mm square mounting surface. Adjustment screws have 0.25mm pitch thread for fine angular resolution. Precision tilting of the mounting surface in two axes can be done with either top screw or standard (screws in back) model options. 25mm square or diameter first surface mirrors can be easily bonded using our wide range of optical adhesives. Metric mounting holes allow for a wide range of integration solutions. [Posts](#) and [Post Holders](#) are required for mounting to a breadboard.

## Technical Information

**Metric Mirror Mount #56-343**



Units: mm