

**TECHSPEC® 27mm Diameter, T-Mount Thin Optic Mount**



Stock #53-861 **2 In Stock**

⊖ 1 ⊕ £57<sup>00</sup>

**ADD TO CART**

Volume Pricing	
Qty 1-4	£57.60 each
Qty 5-9	£51.28 each
Qty 10-25	£47.44 each
Need More?	<a href="#">Request Quote</a>

⚠ Prices shown are exclusive of VAT/local taxes

Product Downloads

**General**

Function:  
Optic Mount (Fixed)

Type of Optics:  
Circular

## Physical & Mechanical Properties

11.5      **Extension Length (mm):**

14.95      **Total Length (mm):**

2.0      **Min. Thickness of Compatible Optics (mm):**

5.5      **Max. Thickness of Compatible Optics (mm):**

24.0      **Clear Aperture CA (mm):**

Black Anodized Aluminum (6061 T6)      **Construction:**

48.0      **Outer Diameter (mm):**

27.0      **Diameter of Compatible Reticle (mm):**

## Threading & Mounting

T-Mount      **Thread Type:**

27.0      **Diameter of Compatible Optics (mm):**

## Regulatory Compliance

[Compliant](#)      **RoHS 2015:**

[View](#)      **Certificate of Conformance:**

[Compliant](#)      **REACH 241:**

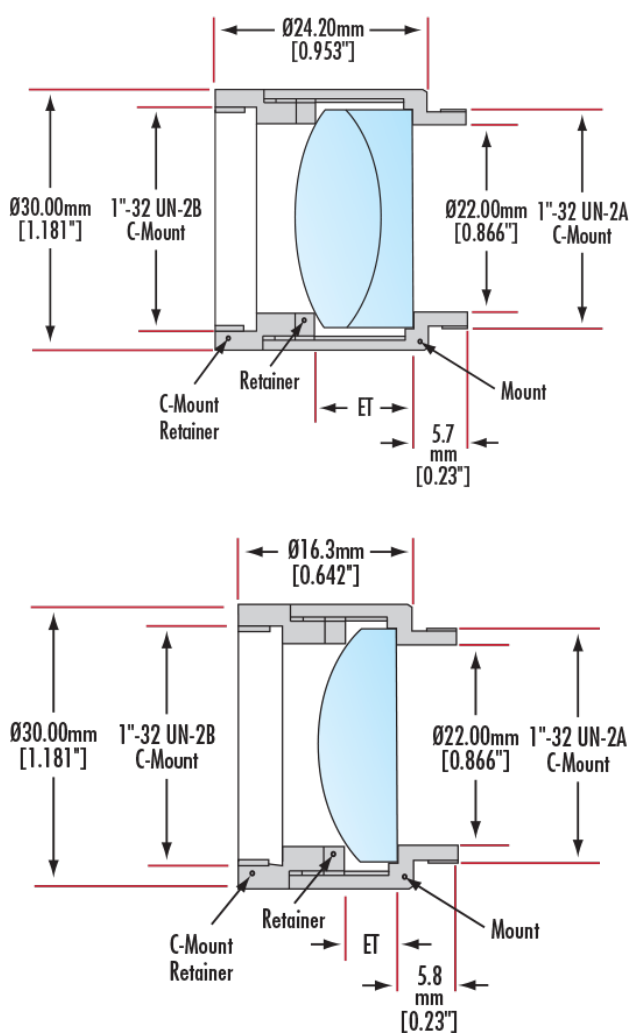
## Product Details

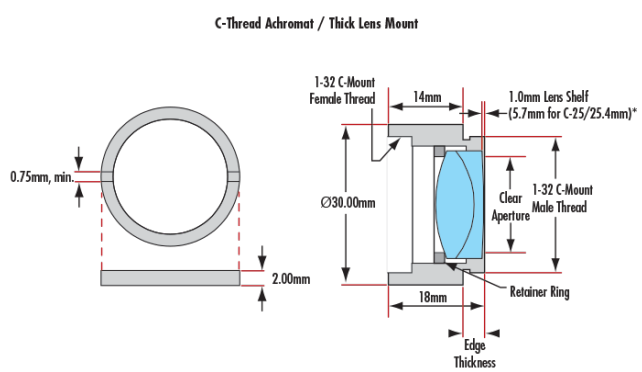
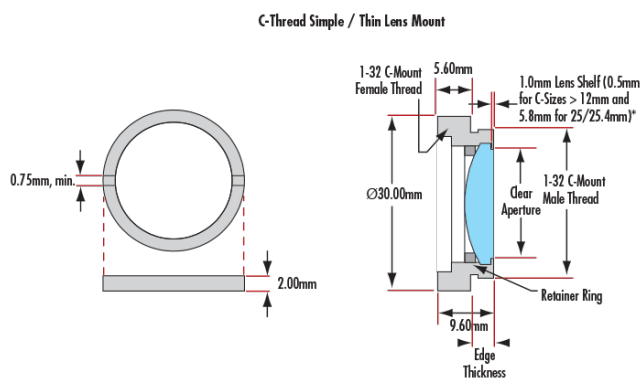
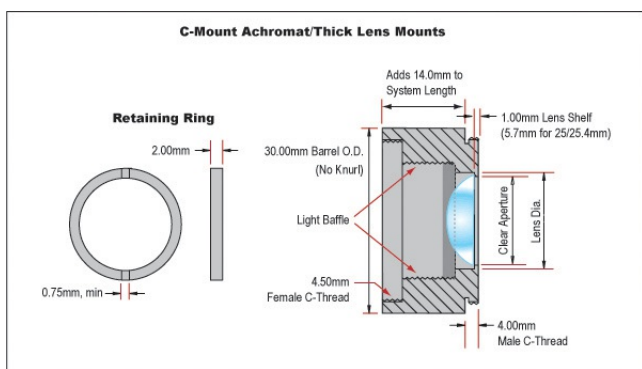
- Mounts for Simple Lenses, Achromats, Filters, or Reticles
- Designed to Integrate with Any C, S, or T-Mount Components
- Optic is Held in Place with Included Retaining Ring

TECHSPEC® C, S, and T-Mount Circular Optic Mounts are designed to mount a variety of circular optical components into C, S, or T-Mount compatible systems. An included threaded retainer ring, designed to accept a standard spanner wrench, securely holds the optical component. These circular optic mounts are compatible with a wide variety of Edmund Optics optomechanical components utilizing C, S, or T-Mount threads, such as [extension tubes](#) and [kinematic mounts](#). TECHSPEC® C, S, and T-Mount Circular Optic Mounts are threaded for 1" x 32 TPI, M12 x 0.5, or M42 x 0.75 mounting, with 30mm, 16mm, and 48mm outer diameters, respectively. These mounts are ideal for creating and personalization of a diverse range of optical systems.

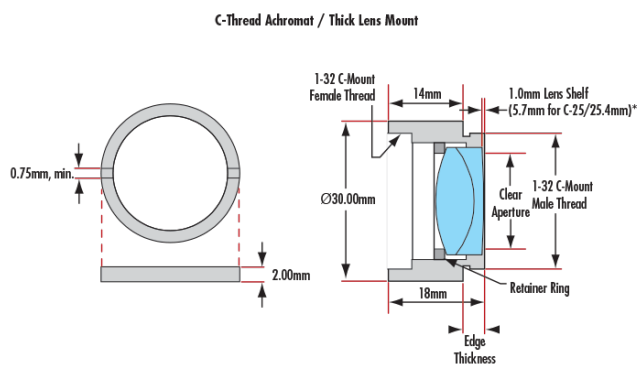
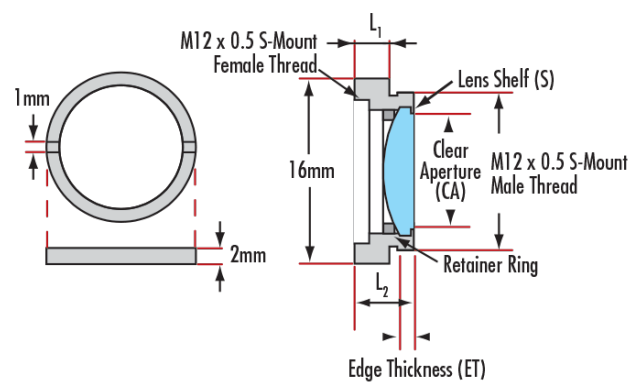
**Note:** #56-353, #56-354, #52-933, and #52-292 are all 3-part assemblies

## Technical Information

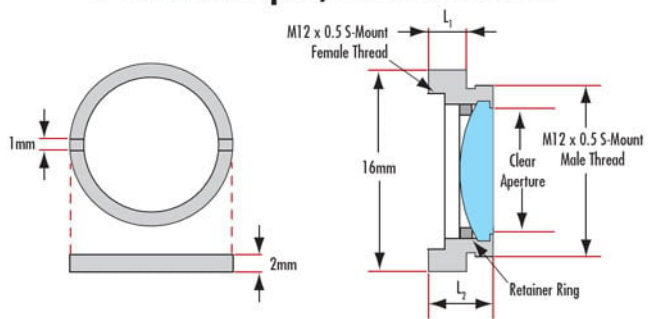




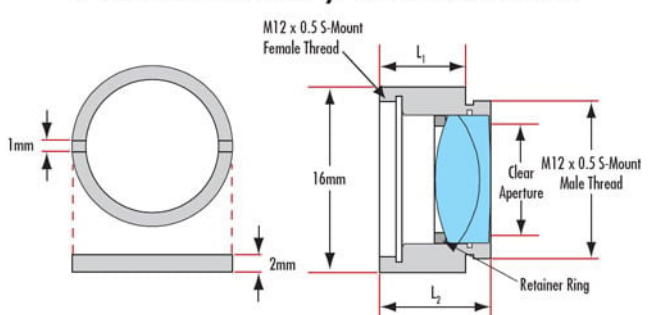
### S-Thread Simple / Thin Lens Mount

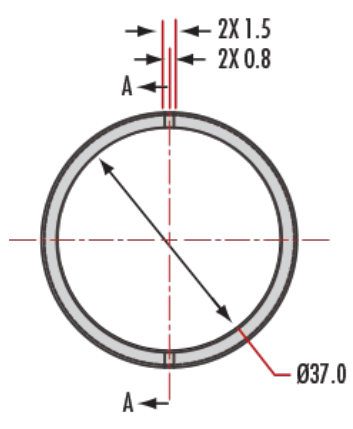


### S-Thread Simple /Thin Lens Mount



### S-Thread Achromat / Thick Lens Mount





#58-741

