

TECHSPEC® Right Angle Adapter For 18mm Dia. Lenses



Right Angle Adapter For 18mm Dia. Lenses, #88-215



Stock **#88-215** **6 In Stock**

⊖ 1 ⊕ £123.²⁰

ADD TO CART

Volume Pricing	
Qty 1+	£123.20 each
Need More?	Request Quote

ⓘ Prices shown are exclusive of VAT/local taxes

Product Downloads

General

21.2mm Distance from Input to Output **Note:**

Edmund Optics® **Manufacturer:**

Lens Accessory **Type:**

Compatible Lens:

18mm Dia. Compact Telecentric

Regulatory Compliance

Certificate of Conformance:

[View](#)

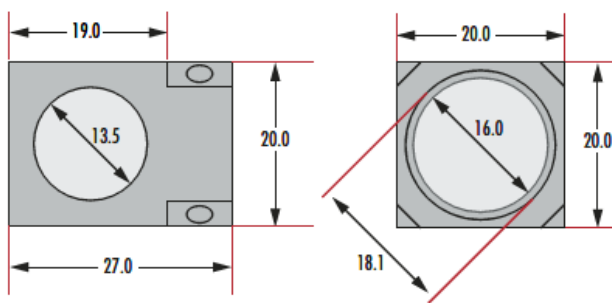
Product Details

- 2/3", C-Mount Telecentric Lens
- Up to 2.3 MegaPixels, 4.5µm Pixel Size Sensors
- Small Telecentric Lens with Coaxial Illumination Options

TECHSPEC® CompactTL™ Telecentric Lenses are designed for applications with tight space constraints due to their ultra-compact design. These lenses feature a 2/3" sensor format and a variety of different working distance and magnification options. From single unit to high volume implementation, these lenses provide a great price to performance ratio. TECHSPEC® CompactTL™ Telecentric Lenses are perfect for integration into gauging systems due to their excellent telecentricity and low distortion. The fixed iris and lockable focus make these lenses ideal for implementation into factory floors and assembly lines, as they will remain fixed over time.

Technical Information

Right Angle Adapter for 18mm Dia. Telecentric Lenses, #88-215



Units: mm