

# Olympus UPLFLN 4X Objective

See More by [Olympus](#)



Olympus UPLFLN 4X Objective

Stock **#86-817** **2 In Stock**

⊖ 1 ⊕ £544.<sup>00</sup>

**ADD TO CART**

Volume Pricing	
Qty 1+	£544.00 each
Need More?	<a href="#">Request Quote</a>

ⓘ Prices shown are exclusive of VAT/local taxes

## Product Downloads

## General

UPLFLN4X **Model Number:**

**Compatible Tube Lens Focal Length (mm):**  
Focal Length: 180mm

Microscope Objective **Type:**

Infinity Corrected **Style:**

Olympus **Manufacturer:**

## Physical & Mechanical Properties

6.62 **Field of View (mm):**

27.90 **Length excluding Threads (mm):**

24 **Maximum Diameter (mm):**

81 **Weight (g):**

## Optical Properties

N/A **Compatible Cover Glass Thickness (mm):**

45.00 **Focal Length FL (mm):**

4X **Magnification:**

0.13 **Numerical Aperture NA:**

2.58 **Resolving Power ( $\mu\text{m}$ ):**

16.27 **Depth of Field ( $\mu\text{m}$ ):**

17.00 **Working Distance (mm):**

380 - 900 **Wavelength Range (nm):**

26.5 **Field Number (mm):**

45 **Parfocal Length (mm):**

N/A **Immersion Liquid:**

11.70 **Entrance Pupil Diameter (mm):**

## Threading & Mounting

RMS / 20.32mm x 36 TPI **Mounting Threads:**

## Regulatory Compliance

[Exempt](#) **RoHS 2015:**

[View](#) **Certificate of Conformance:**

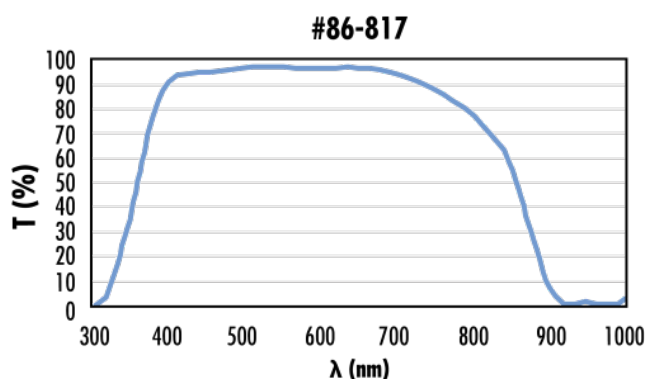
[Contains SVHC\(s\)](#) **Reach 247:**

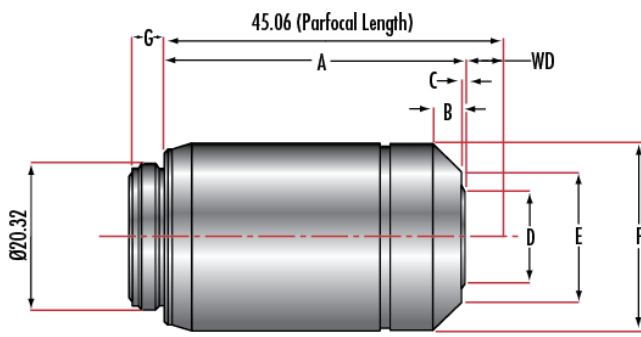
## Product Details

- Ideal for Brightfield, Darkfield, DIC, Fluorescence, or Polarization Microscopy
- Excellent Transmission in the UV
- High Numerical Apertures and Oil Immersion Options Available
- Additional [Olympus Infinity Corrected Objectives](#) Available

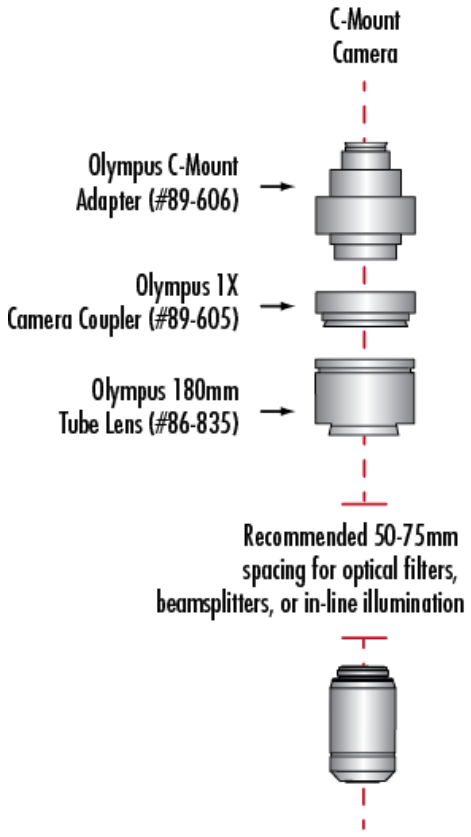
Olympus Plan Fluorite Objectives are multi-purpose objectives that utilize advanced multi-coatings to provide excellent flat field images from the UV to NIR. The objectives offer high signal-to-noise ratios, excellent resolution, and high contrast imaging capability. These objectives are ideal for brightfield microscopy or Nomarski differential interference contrast (DIC) observations, in addition to darkfield or fluorescence microscopy, or specific polarization techniques. Olympus Plan Fluorite Objectives are available in 4X up to 100X magnification. High Numerical Apertures and Oil Immersion options are available. Additional [Olympus Infinity Corrected Objectives](#) are also offered.

## Technical Information





**Using Olympus Objectives  
with C-Mount Cameras**



	Stock #	A	B	C	D	E	F	G
UPLFLN 4X	<a href="#">86-817</a>	27.9	2.8	0.0	18.0	18.0	24.0	4.5
UPLFLN 10X	<a href="#">86-818</a>	34.9	10.1	0.0	13.6	13.6	24.0	4.5
UPLFLN 20X	<a href="#">86-819</a>	42.8	5.3	2.3	9.4	15.8	26.0	4.5
UPLFLN 40X	<a href="#">86-820</a>	44.4	5.1	4.0	8.5	16.0	26.0	4.5
UPLFLN 60X	<a href="#">86-822</a>	44.7	5.2	2.7	8.6	17.0	29.0	4.7
UPLFLN 100X (Oil Immersion)	<a href="#">86-823</a>	44.7	5.5	3.0	7.0	17.2	28.0	4.5

