

[See all 14 Products in Family](#)

Olympus PLN 2X Objective

See More by [Olympus](#)



Olympus Plan Achromatic Objectives



Stock #16-879 **4 In Stock**

- 1 + £672.⁰⁰

ADD TO CART

Volume Pricing

Qty 1+	£672.00 each
Need More?	Request Quote

ⓘ Prices shown are exclusive of VAT/local taxes

Product Downloads

General

Model Number:
1-U2B221

Compatible Tube Lens Focal Length (mm):
Focal Length: 180mm

Type:
Microscope Objective

Infinity Corrected

Style:

Olympus

Manufacturer:

Physical & Mechanical Properties

Field of View (mm):
11.00

Length excluding Threads (mm):
39.10

Maximum Diameter (mm):
24

Weight (g):
97.9

Optical Properties

Compatible Cover Glass Thickness (mm):
N/A

Focal Length FL (mm):
90.00

Magnification:
2X

Numerical Aperture NA:
0.06

Resolving Power (μm):
5.59

Depth of Field (μm):
76.39

Working Distance (mm):
5.8

Field Number (mm):
22

Parfocal Length (mm):
45

Immersion Liquid:
N/A

Depth of Focus (μm):
306

Entrance Pupil Diameter (mm):
10.80

Threading & Mounting

Mounting Threads:
RMS / 20.32mm x 36 TPI

Regulatory Compliance

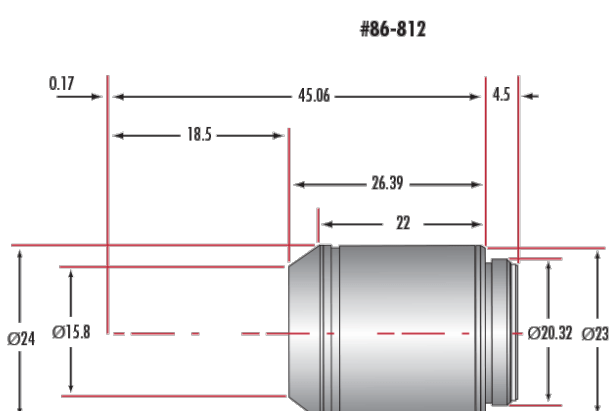
Certificate of Conformance:
[View](#)

Product Details

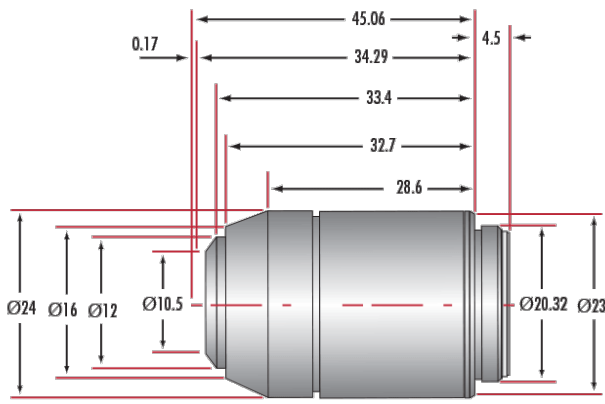
- Ideal for Brightfield, Darkfield, or Fluorescence Microscopy
- Excellent Price-to-Performance Ratio
- Suitable for Introductory and Advanced Optical Microscopy Applications
- Additional [Olympus Infinity Corrected Objectives](#) Available

Olympus Plan Achromatic Objectives are designed for clinical laboratory or examination applications. When using brightfield observation in a transmitted illumination system, Olympus Plan Achromatic Objectives provide excellent field flatness of up to F.N.22.

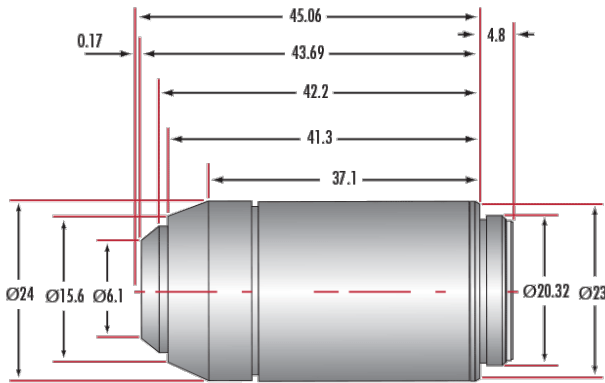
Technical Information



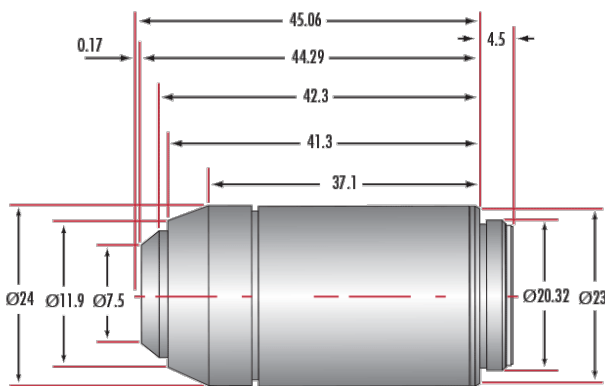
#86-813



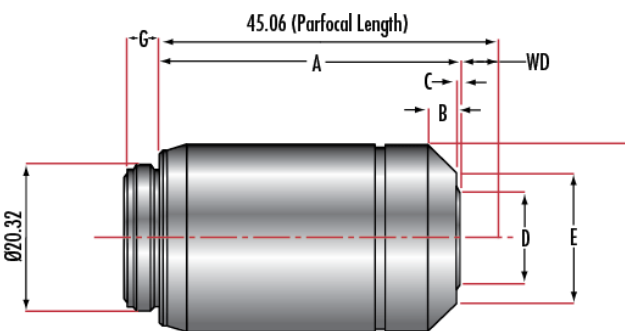
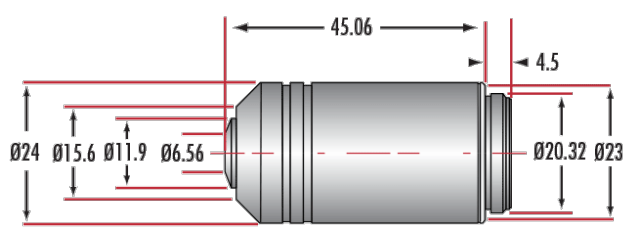
#86-814



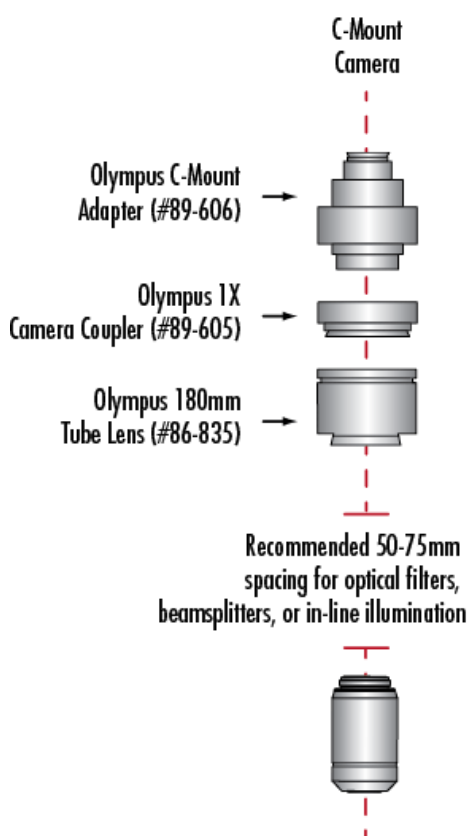
#86-815



#86-816



Using Olympus Objectives with C-Mount Cameras



	Stock #	A	B	C	D	E	F	G
PLN 2X	16-879	39.1	3.4	0.0	16.8	16.8	24.0	4.5
PLN 4X	86-812	26.4	4.4	0.0	15.8	15.8	24.0	4.5
PLN 10X	86-813	34.3	4.1	1.6	10.5	16.0	24.0	4.5
PLN 20X	86-814	43.7	4.2	2.4	6.1	15.6	24.0	4.8
PLN 40X	86-815	44.3	4.2	3.0	7.5	15.6	24.0	4.5
PLN 100X	86-816	44.7	4.2	2.5	6.6	15.6	24.0	4.5

