

# Olympus LMPLFLN-BD 10X Objective

See More by [Olympus](#)



#86-828

Stock **#86-828** [CONTACT US](#)

⊖ 1 ⊕ £1,912<sup>00</sup>

**ADD TO CART**

### Volume Pricing

Qty 1+	£1,912.00 each
Need More?	<a href="#">Request Quote</a>

**!** Prices shown are exclusive of VAT/local taxes

### Product Downloads

### General

**Model Number:**  
LMPLFLN10XBD

**Compatible Tube Lens Focal Length (mm):**  
Focal Length: 180mm

**Type:**  
Brightfield/Darkfield

**Style:**  
Infinity Corrected

Olympus **Manufacturer:**

Darkfield Objective **Note:**

## Physical & Mechanical Properties

32.00 **Diameter (mm):**

2.65 **Field of View (mm):**

35.00 **Length excluding Threads (mm):**

32 **Maximum Diameter (mm):**

84 **Weight (g):**

## Optical Properties

N/A **Compatible Cover Glass Thickness (mm):**

18.00 **Focal Length FL (mm):**

10X **Magnification:**

0.25 **Numerical Aperture NA:**

1.34 **Resolving Power ( $\mu\text{m}$ ):**

4.40 **Depth of Field ( $\mu\text{m}$ ):**

10.0 **Working Distance (mm):**

400 - 700 **Wavelength Range (nm):**

26.5 **Field Number (mm):**

45 **Parfocal Length (mm):**

N/A **Immersion Liquid:**

9.00 **Entrance Pupil Diameter (mm):**

## Threading & Mounting

M26 x 36 TPI **Mounting Threads:**

## Regulatory Compliance

[View](#) **Certificate of Conformance:**

## Product Details

- Ideal for Brightfield, DIC, Fluorescence, or Polarization Microscopy
- Long Working Distances Reduce Risk of Specimen Damage
- Excellent Transmission from 400 – 700nm
- Additional [Olympus Infinity Corrected Objectives](#) Available

Olympus MPlan Fluorite Semi Apochromat Infinity Corrected Objectives are ideal for a range of applications utilizing a variety of illumination methods. Olympus MPlan Fluorite Semi Apochromat Infinity Corrected Objectives offer long working distances to increase specimen safety, in addition to increased contrast for observation. These objectives feature standard pupil positions, which enable the use of multiple [prisms](#) or [polarizers](#) for differential interference contrast (DIC) optical microscopy applications.

## Technical Information



Typical Transmission

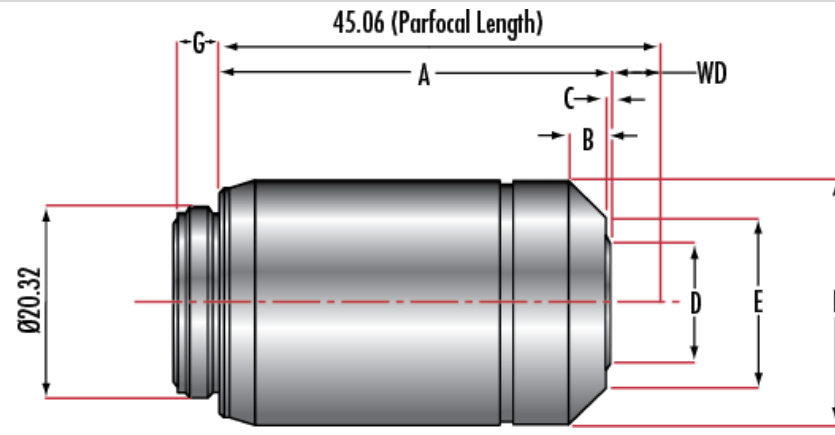


### Using Olympus Objectives with C-Mount Cameras



Stock #	Model	A	B	C	D	E	F	G	WD
<a href="#">#88-202</a>	LMPLFLN 5X	22.5	0.3	-	25.4	-	26.0	4.9	22.5
<a href="#">#88-203</a>	LMPLFLN 10X	24.0	1.9	-	15.2	22.4	26.0	4.5	21.0
<a href="#">#88-204</a>	LMPLFLN 20X	33.0	3.7	-	17.0	-	26.0	4.8	12.0
<a href="#">#88-205</a>	LMPLFLN 50X	34.4	4.0	-	18.2	-	26.0	4.9	10.6
<a href="#">#88-206</a>	LMPLFLN 100X	41.6	3.8	0.5	12.5	18.1	26.0	4.7	3.4
<a href="#">#16-880</a>	MPLFLN 1.25X	41.5	-	-	28.6	29.0	30	4.9	3.5
<a href="#">#39-573</a>	MPLFLN 2.5X	34.3	2.7	-	24.5	29.0	30.0	4.9	10.7
<a href="#">#88-332</a>	MPLFLN 5X	25.0	2.5	-	20.9	-	26.0	4.5	20.0

#88-333	MPLFLN 10X	34.0	5.6	-	14.5	-	26.0	4.5	11.0
#23-721	MPLFLN 20X	42.0	2.63	2.15	9	20.4	26	4.8	3
#23-722	MPLFLN 50X	42.0	3.4	1.96	10.3	19	26	4.5	3



Stock #	Model	A	B	C	D	E	F	G	WD
#86-827	LMPLFLN-BD 5X	30.0	2.6	3.4	16.2	29.5	32.0	5.0	15.0
#86-828	LMPLFLN-BD 10X	35.0	2.1	2.7	15.5	30.0	32.0	4.5	10.0
#86-829	LMPLFLN-BD 20X	33.0	1.2	0.5	22.0	30.0	32.0	4.5	12.0
#86-830	LMPLFLN-BD 50X	34.4	1.2	1.4	20.7	28.0	32.0	4.8	10.6
#86-831	LMPLFLN-BD 100X	41.7	1.2	4.0	21.0	29.0	32.0	4.7	3.3

