

MT-2 Accessory Tube Lens

See More by [Mitutoyo](#)



MT-2 Accessory Tube Lens, #56-863

Stock **#56-863** **3 In Stock**

⊖ 1 ⊕ £872.⁰⁰

ADD TO CART

Volume Pricing

Qty 1+	£872.00 each
Need More?	Request Quote

ⓘ Prices shown are exclusive of VAT/local taxes

Product Downloads

General

MT-2 **Model Number:**

Tube Lens **Type:**

Physical & Mechanical Properties

40.00 **Diameter (mm):**

Length (mm):
32.00

Optical Properties

Focal Length FL (mm):
400.00

Magnification:
2X

Wavelength Range (nm):
436 - 656

Field Number (mm):
30.00

Entrance Pupil Diameter (mm):
18.00

Threading & Mounting

Mounting Threads:
three 2.4mm holes

Regulatory Compliance

RoHS 2015:
[Exempt](#)

Certificate of Conformance:
[View](#)

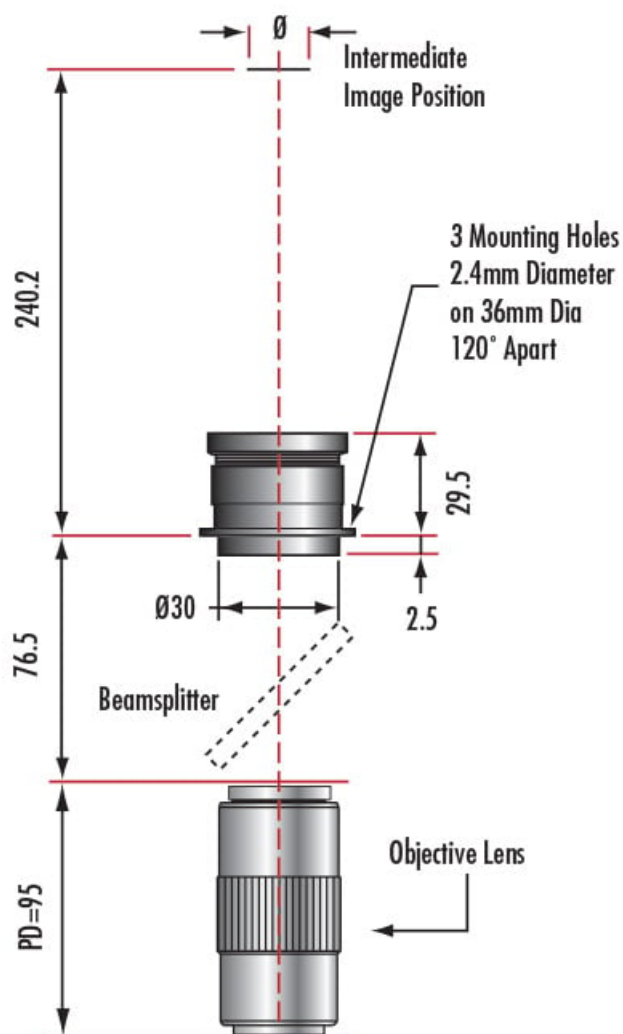
REACH 241:
[Contains SVHC\(s\)](#)

Product Details

- Creates an Image When Used With a Mitutoyo Objective
- Low Cost Alternative to [Mitutoyo VMU](#) and [FS-70 Microscopes](#)
- [Accessory Adapters](#) Available to Ease Integration with C-Mount Cameras

Mitutoyo Tube Lenses function as secondary lenses to form an image using any of the [Mitutoyo Infinity Corrected Objectives](#). They are economical alternatives to the [FS70 Microscope](#) or [Infinite® In-line Assembly Unit](#). Several options are available, depending upon system requirements. The MT-4 and MT-40 are designed for end-user integration and can easily be used with any C-Mount camera with our Mitutoyo C-Mount Camera Extension Tube #56-992. Mitutoyo Tube Lenses MT-4 Tube Lens is recommended for use with Objectives from 1X to 20X magnification, while the MT-40 is recommended for use with Objectives with >20X magnification. The MT-1 Tube Lens permits the introduction of a beamsplitter to the imaging path, allowing for a custom in-line illumination system. The MT-2 Tube Lens is similar to the MT-1 but with an effective focal length of 400mm, providing twice the stated magnification for any of the Mitutoyo objectives. The MT-L and MT-L4 lenses are designed for the [M Plan NUV](#) and [M Plan UV](#) series of objectives, respectively. [NIR and zoom tube lenses](#) are also available through our line of Precision Zoom Lenses.

Technical Information



MT-2 #56-863

