

TECHSPEC Liquid Lens Holder for 12mm Cx Lens



#33-631: Liquid Lens Holder for 12mm Cx Lens

Stock **#33-631** **5 In Stock**

⊖ 1 ⊕ £28⁰⁰

ADD TO CART

Volume Pricing	
Qty 1+	£28.60 each
Need More?	Request Quote

ⓘ Prices shown are exclusive of VAT/local taxes

Product Downloads

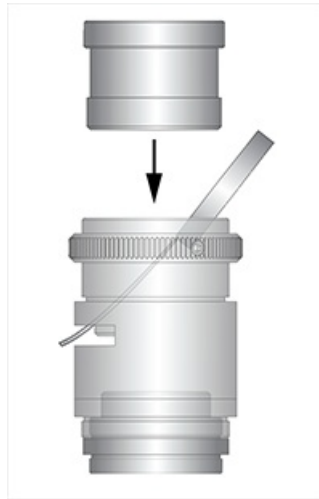
General

Lens Accessory **Type:**

[#33-562](#) **Compatible Lens:**

Optical Properties

VS **Lens Wavelength Range:**



Step 2: Mount the Variable Focus Liquid Lens into the Liquid Lens Holder. Next, assemble both items into the middle of the CxLens. [Complete instructions can be found in the downloadable PDF manual.](#)

Step 3, Option 1: Attach Liquid Lens to a [PixelLink USB 3.0 Autofocus Camera](#). This camera provides seamless integration - both driver and autofocus software is included.



Step 3, Option 2: Use with standard C-Mount camera. Driver is not included and a separate Liquid Lens driver must be purchased separately (included in Liquid Lens Development Kit).

