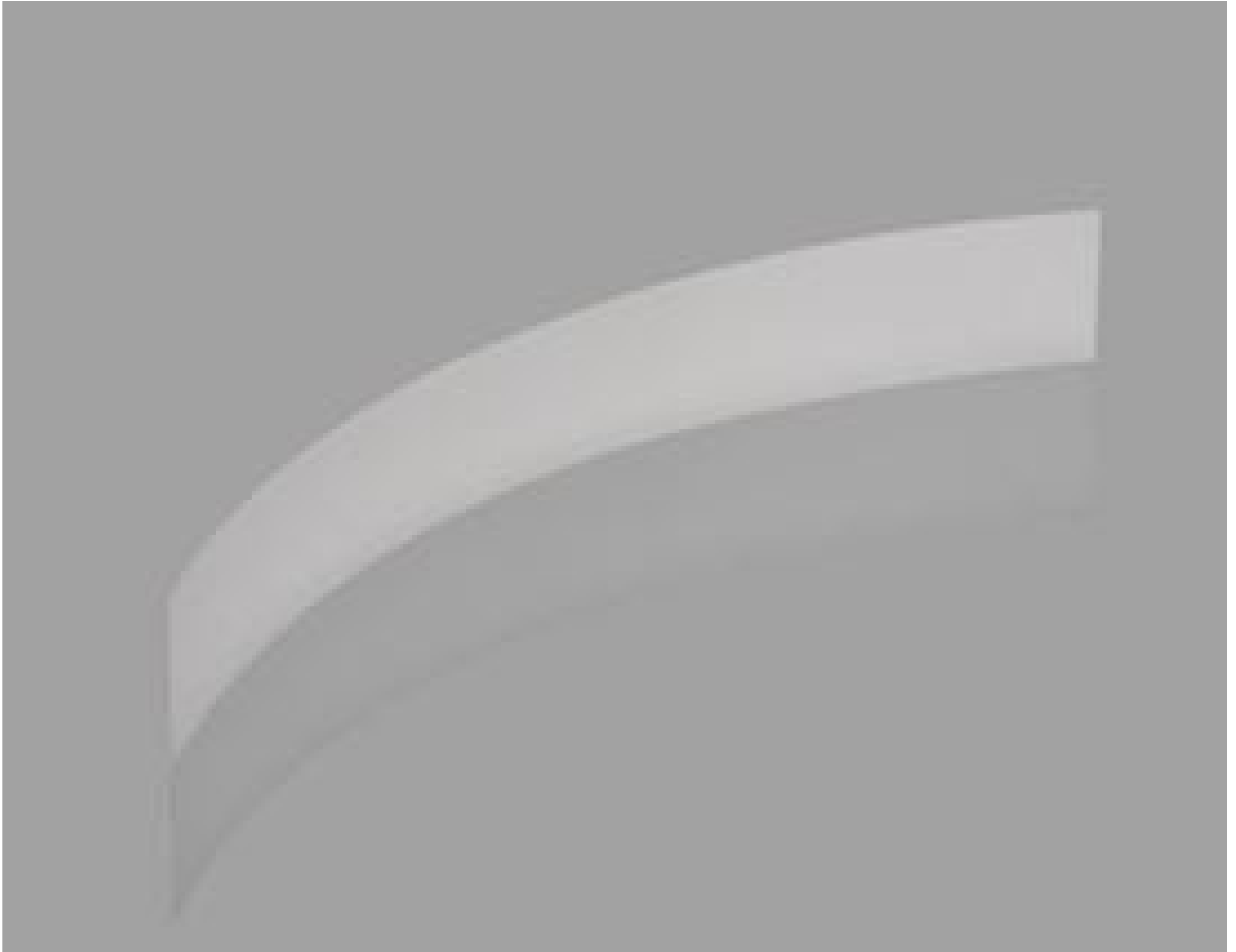


Linescan Diffuser Accessory for 15 LED Bar Light



#34-887: Linescan Diffuser Accessory for 15 LED Bar Light



Stock **#34-887** **1 In Stock**

⊖ 1 ⊕ £137⁰⁰

ADD TO CART

Volume Pricing

Qty 1+	£137.00 each
Need More?	Request Quote

ⓘ Prices shown are exclusive of VAT/local taxes

Product Downloads

General

Accessory

Type of Illumination:

Note:

Used to diffuse the LED bar lights to have linear lighting. Diffusion angle is 50° (H) x 3° (V).

Effilux

Manufacturer:

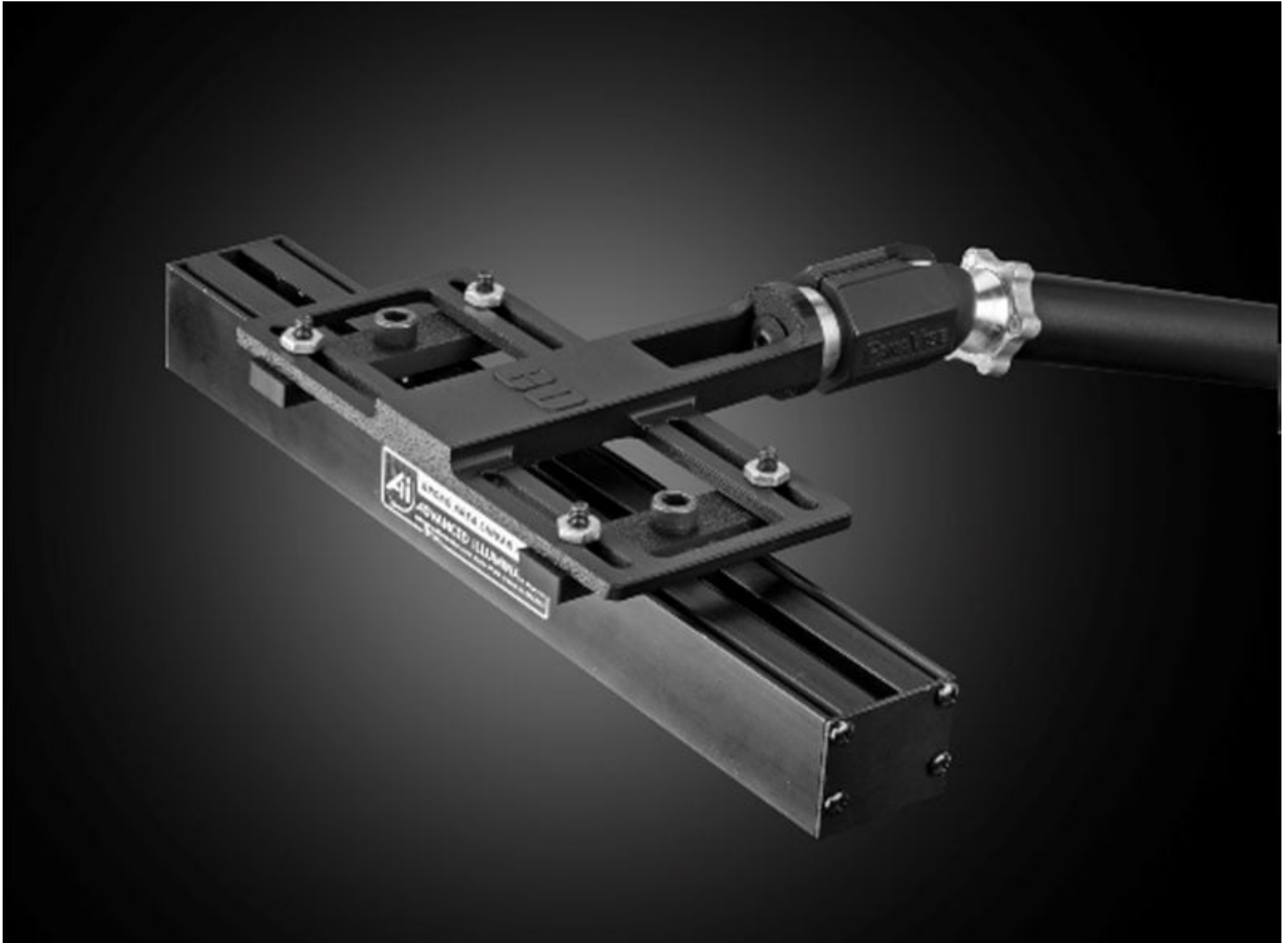
Product Details

- Direct Access to Optics for Quick, Manual Adjustment of Illumination Cone Angles
- Included Interchangeable Windows Allows for Easy Adjustment of Light Diffusion
- Easy to Integrate Linescan Accessory for Linear or Darkfield Lighting

Effilux Adjustable LED Bar Lights provide versatility by allowing the emission angle of the light to be modified by the user. Various illumination emission angles can be modified by simply removing the LED window that's held in place by screws to access the lens array and adjust the lens array height to one of the three indicated positions. Effilux Adjustable LED Bar Lights include three interchangeable windows: transparent, semi-diffuse, and opaline. By placing the optional polarizer or linescan accessories beneath the transparent window, glare can be eliminated or linear lighting created. The flexibility and ease of user modifications for these bar lights make them ideal for use in many application types.

Note: 24V power supply and M12 female to male cable are required. When first powered, these lights start in their Overdriven state with 700% intensity then relax to normal intensity.

3D-Printable Mount Files



Bar or Line Light Configuration

[Download Now](#)

Designed for use with the [Articulating Arm Mounting Systems](#), these 3D-printed mounts allow easy positioning of lights in brightfield or darkfield setups. The design is based on mounting illumination to 1/4-20" breadboards or into 80/20 extrusion systems, but can be adapted based on user needs. Mounts are available for ring, bar, line, and inline spot lights.



[Application Note](#)

[Illumination Mounts for Machine Vision Applications](#)

[Read](#)



[Video](#)

[Assembly of 3D Printed Mounts for Common Illumination Geometries](#)

[Watch](#)

