

## Glan-Taylor Polarizer 200 - 350nm, 12.7mm



Glan-Taylor Polarizer

Stock #89-550 **1 In Stock**

- 1 + £1,196<sup>00</sup>

**ADD TO CART**

Volume Pricing	
Qty 1-5	£1,196.00 each
Qty 6+	£1,116.00 each
Need More?	<a href="#">Request Quote</a>

ⓘ Prices shown are exclusive of VAT/local taxes

### Product Downloads

### General

Linear Polarizer **Type:**

### Physical & Mechanical Properties

12.7 **Clear Aperture CA (mm):**

25.40 **Diameter (mm):**

21.00 Length (mm):

Crystalline Glan-Taylor Polarizer Construction:

## Optical Properties

Single Layer MgF<sub>2</sub> Coating:

<5 x 10<sup>-6</sup> Extinction Ratio:

α-BBO Substrate:

20-10 Surface Quality:

λ/2 @ 632.8nm Transmitted Wavefront, P-V:

<3 Beam Deviation (arcmin):

λ/4 @ 632.8 nm Transmitted Wavefront Distortion (RMS):

200 - 350 Wavelength Range (nm):

2 J/cm<sup>2</sup> @ 1064nm, 10ns, 10Hz Damage Threshold, By Design:

## Regulatory Compliance

Compliant RoHS 2015:

View Certificate of Conformance:

Compliant Reach 247:

## Product Details

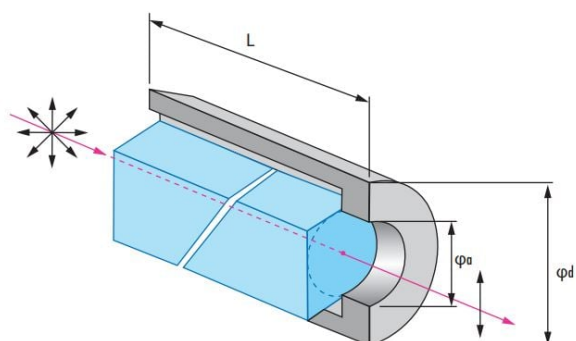
- High Extinction Ratios up to 200 000:1
- High Laser Damage Thresholds up to 5 J/cm<sup>2</sup> @ 1064nm

Glan-Type Polarizers are mounted, polarizing prisms used in applications that require broad spectral ranges, high extinction ratios, or high polarization purities. Glan-Taylor Polarizers are medium-power, air-spaced UV to NIR polarizers that transmit the extraordinary beam. The ordinary beam is then reflected and absorbed by black glass plates that have been cemented to the prism. Glan-Laser Polarizers are similar to Glan-Taylor, but are designed for higher power applications and appropriate for use in Q-switched laser cavities. Glan-Laser Polarizers utilize an advanced polishing technique for minimizing surface scatter and feature two escape windows for passing the high power rejected light. Glan-Thompson Polarizers are low power polarizers that are ideal for UV, visible, or NIR applications, feature a cemented design, and transmit the extraordinary beam while absorbing the reflected ordinary beam.

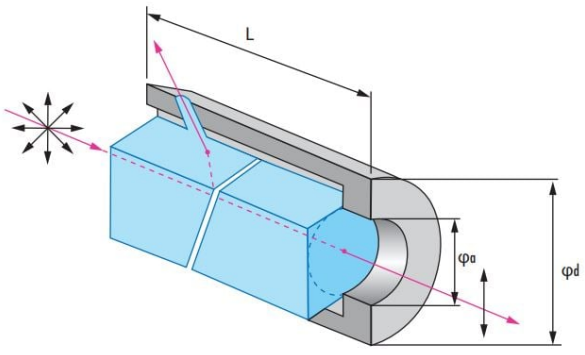
# LASER OPTICS MADE BY EDMUND OPTICS®

LEARN MORE

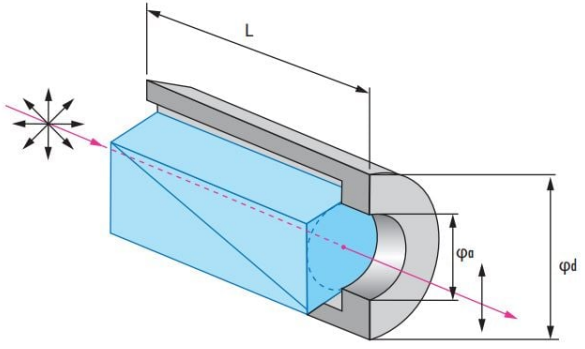
## Technical Information



Glan-Taylor Polarizers



*Glan-Laser Polarizers*



*Glan-Thompson Polarizers*

;