

3/4" Post Adapter for Boom Stands



3/4" Post Adapter for Boom Stands, #54-124

Stock **#54-124** **6 In Stock**

1 **£240⁰⁰**

ADD TO CART

Volume Pricing

Qty 1+	£240.00 each
Need More?	Request Quote

! Prices shown are exclusive of VAT/local taxes

Product Downloads

General

Mounting Adapter **Type:**

Compatible Post Diameter (mm):
19.05 Dia. x 101.6 L (0.75" Dia. x 4" L)

Physical & Mechanical Properties

Length (inches):
7.00

Threading & Mounting

1/4-20

Mounting Threads:

Regulatory Compliance

[View](#)

Certificate of Conformance:

Product Details

- Standard and Deluxe Versions Available
- 1/4-20 Mounting
- Compatible with our Most Popular Line of Boom Stands

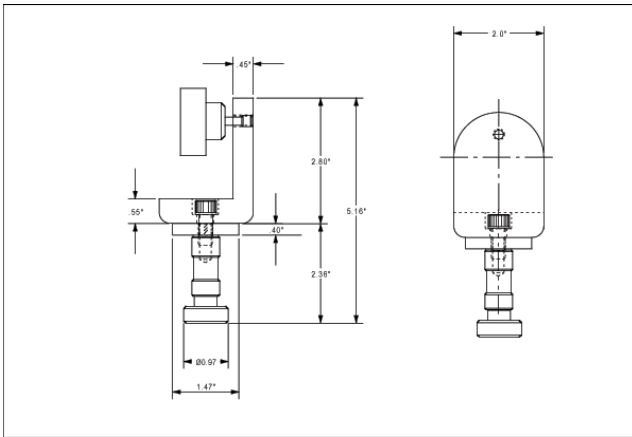
[#54-122](#) adapter can be used to mount a wide variety of cameras, lenses, microscopes, and lighting. Components are easily mounted via its 1/4-20 mounting screw. 2.8" L x 2.0" W x 0.45" T.

[#54-123](#) deluxe version of the base plate has the same 1/4-20 screw type, but includes a rack and pinion movement with tilt adjustment. The rack and pinion has a 2" travel. 3.8" L x 2.52" W x 1.5" T.

[#54-124](#) post adapter can be used to attach mounts designed to fit on 3/4 inch posts. Allows tilt adjustment. This is required to mount our 68mm ([#39-357](#)) and 50mm ([#03-609](#)) thru-hole rack and pinions and our [1/4-20 movements](#). Adapter is 7" long. Post 4" long x 0.75" O.D.

All adapters are compatible with the following boom stands: [Articulating Arm Boom Stand](#), [Standard Boom Stand](#), and [Ball Bearing Boom Stand](#).

Technical Information



#54-123