

[See all 12 Products in Family](#)

## Filter Thread Adapter for #59-821, #64-764 and #59-819



#59-825: Filter Thread Adapter for #59-821, #64-764 and #59-819

Stock **#59-825** **1 In Stock**

⊖ 1 ⊕ £94<sup>00</sup>

**ADD TO CART**

### Volume Pricing

Qty 1+	£94.00 each
Need More?	<a href="#">Request Quote</a>

ⓘ Prices shown are exclusive of VAT/local taxes

### Product Downloads

### General

Lens Accessory **Type:**

### Regulatory Compliance

**Compliant** **RoHS 2015:**

[View](#) **Certificate of Conformance:**

## Product Details

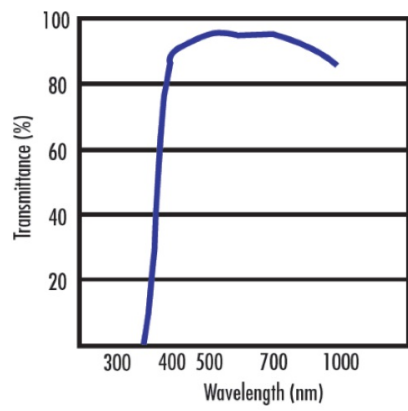
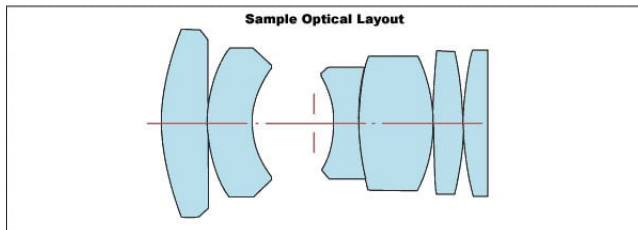
- Up to 4/3", C-Mount Lens
- Spectral Range of 400-1000nm with Color Corrected Options
- 4.8mm to 50mm Focal Length

Schneider's Standard VIS-NIR lenses can accommodate up to a 4/3" sensor (22mm image circle) but will need to be refocused when switching between VIS and NIR wavelengths.

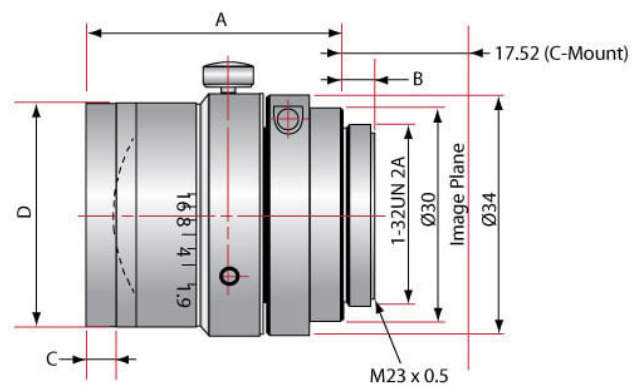
This series of lenses features a robust mechanical design, lockable focus, lockable iris, and filter mount threads, making them ideal for typical industrial settings. The optical design is an excellent match for high pixel depth cameras. Their excellent optical performance over the entire working distance range corresponds perfectly to the capabilities of high resolution sensors.

**Note:** Lenses with M62 x 0.75 filter thread require [#59-825](#) filter thread adapter.

## Technical Information



Typical  
Transmission



Stock No.	A	B	C	D
<a href="#">#59-819</a>	41.0mm	6.3mm	2.8mm	37.3mm
<a href="#">#64-764</a>	40.9mm	3.75mm	2.5mm	31.5mm
<a href="#">#56-533</a>	32.4mm	5.1mm	0.9mm	31.5mm
<a href="#">#56-534</a>	42.7mm	5.8mm	1.2mm	31.5mm
<a href="#">#56-535</a>	33.4mm	4.3mm	12.4mm	31.5mm
<a href="#">#56-536</a>	36.9mm	3.8mm	8.2mm	31.5mm
<a href="#">#56-537</a>	34.7mm	3.8mm	2.6mm	31.5mm
<a href="#">#59-820</a>	74.0mm	3.8mm	4.3mm	42mm

Stock No.	A	B	C	D
<a href="#">#59-821</a>	46.1mm	4.1mm	0.3mm	37.3mm
<a href="#">#59-822</a>	40.9mm	3.8mm	2.5mm	31.5mm
<a href="#">#59-823</a>	34.7mm	3.8mm	2.6mm	31.5mm
<a href="#">#59-824</a>	36.9mm	3.8mm	8.2mm	31.5mm

