

Filter Cube Assembly



#18-508: Filter Cube Assembly



Stock #18-508 **16 In Stock**

⊖ 1 ⊕ £294⁴⁰

ADD TO CART

Volume Pricing

Qty 1-4	£294.40 each
Qty 5+	£280.00 each
Need More?	Request Quote

ⓘ Prices shown are exclusive of VAT/local taxes

Product Downloads

General

Dimensions of Compatible Optics (mm):

Excitation Filter: 25/25.4mm Dia.
Emission Filter: 25/25.4mm Dia.
Dichroic Mirror: 25.2 x 35.6mm

Note:

One required for use with fluorescence filters and/or dichroic filters

Product Details

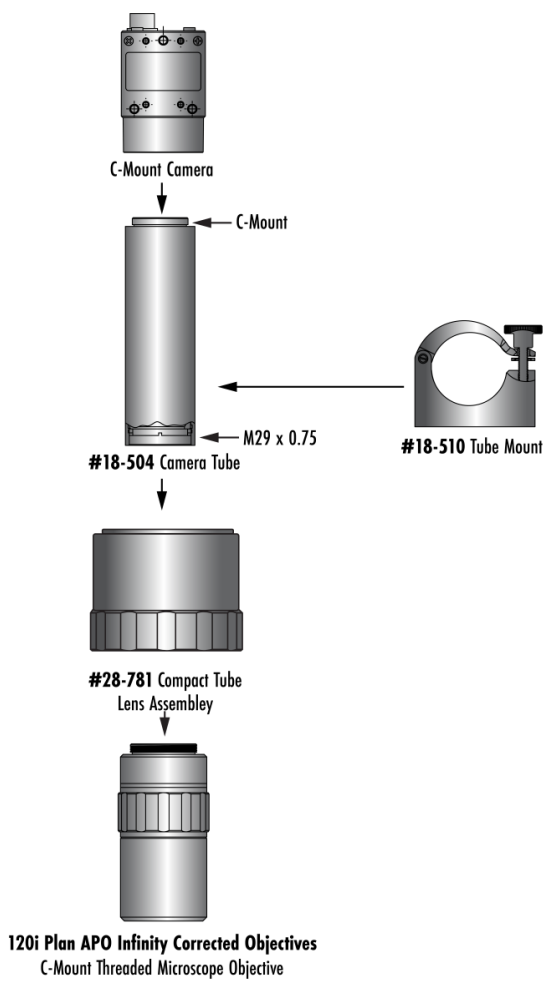
- Up to 43% Smaller than Industry Standard Systems
- Optimized Performance up to 1.1" Sensor
- Ideal for Life Science and Industrial Applications
- Winner of the [2023 Bronze VSD Innovators Award](#)

Edmund Optics® 120i Plan APO Infinity Corrected Objectives are infinite conjugate microscope objectives that offer exceptional image flatness and chromatic correction over 400-700nm. These objectives were designed for a 1.1" sensor to offer a large field of view and reliable image quality for high-throughput imaging applications. Ideal for life science and machine vision applications such as microscopy, flow cytometry, pharmaceutical inspection, and assembly line or fault inspection.

These objectives won the [2023 Bronze VSD Innovators Award](#).

Technical Information

Compact Tube Lens System



Standard Tube Lens System

