

[See all 11 Products in Family](#)

**TECHSPEC® Filter Adapter M62 x 0.75 from M40 x 0.5 (Female)**



M62 x 0.75 Filter Adapter for 4mm UC Series Lens, #33-308



Stock **#33-308** **16 In Stock**

⊖ 1 ⊕ £32<sup>00</sup>

**ADD TO CART**

Volume Pricing	
Qty 1+	£32.40 each
Need More?	<a href="#">Request Quote</a>

ⓘ Prices shown are exclusive of VAT/local taxes

Product Downloads

**General**

Lens Accessory **Type:**

**Threading & Mounting**

M62 x 0.75 (Female) **Filter Thread:**

M40 x 0.5 (Female) **Front Thread:**

## Regulatory Compliance

Certificate of Conformance:

[View](#)

REACH 241:

[Compliant](#)

## Product Details

- Up to 1/1.8", C-Mount Lens
- Up to 12 MegaPixels, 1.85µm Pixel Size Sensors
- Ultra-Compact (UC), High Resolution Lens for Small Sensors
- 4mm to 35mm Focal Length

Our ultra-compact, TECHSPEC® UC Series Fixed Focal Length Lenses are designed to optimize performance, cost, and size without sacrificing quality or feel. Designed for pixels that are  $\leq 2.2\mu\text{m}$ , these lenses provide high levels of resolution ( $>200\text{ lp/mm}$ ) across the sensor and are compatible with all standard C-Mount cameras. TECHSPEC® UC Series Fixed Focal Length Lenses feature focus and iris adjustments, as well as recessed set screws, and are manufactured for use at typical machine vision working distances. While they are optimized for 1/2.5" sensors, many focal lengths will work on sensors up to 1/1.8". The TECHSPEC® UC Series Fixed Focal Length Lenses are an outstanding option for use on all smaller format camera sensors, along with both short and long working distance applications, making them ideal for inspection, [factory automation](#), biomedical devices, and a broad range of other applications.

**Note:** For fixed aperture instrumentation versions, see our [TECHSPEC® UCI Series Fixed Focal Length Lenses](#).

Edmund Optics has created a family of high-performance ultra-compact optical designs (the UC Series family) and developed 3 customized optomechanical solutions targeted for specific applications. These lens sub-families utilize the same optics as the UC Series lenses providing the same optical performance in a variety of optomechanical solutions to meet your application requirements:

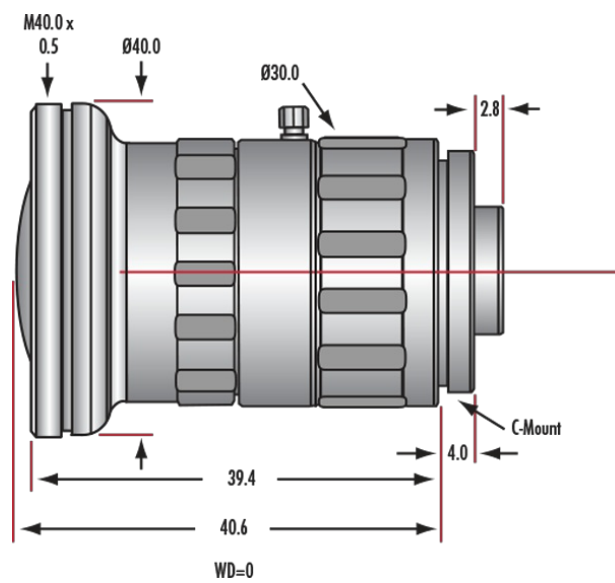
**UC Series:** Features locking cam focus and iris adjustment in an ultra-compact design and is the most adjustable version of these optical designs; they are the typical high-quality machine vision lenses.

**UCI Series:** Simplified mechanics featuring fixed apertures with compact housing. [Industrial Ruggedization](#) for reduced size, cost, and locked focus.

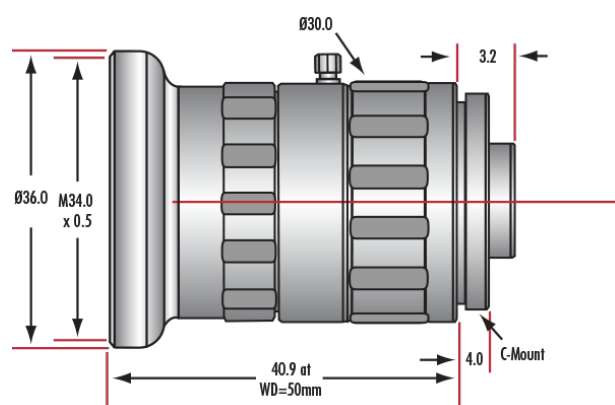
**UCr Series:** All optics glued in place and a locking C-clamp focus ring. [Stabilized Ruggedization](#) for reduced pixel shift and improved focus stability.

**UCw Series:** Waterproof, designed to meet IEC [Ingress Protection](#) Code IPX7 to withstand exposure to water up to 1 meter depth for 30 minutes.

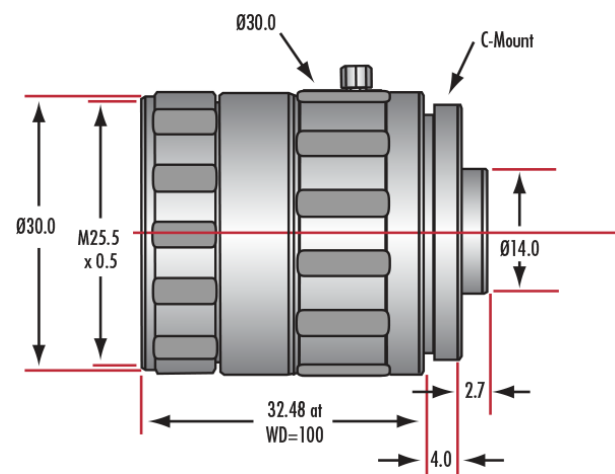
## Technical Information



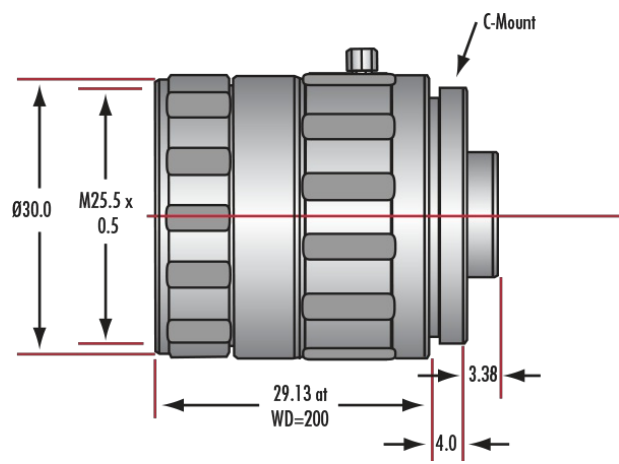
#33-300



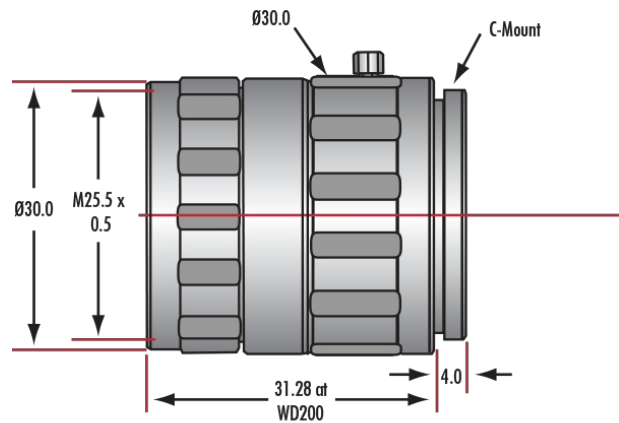
#33-301



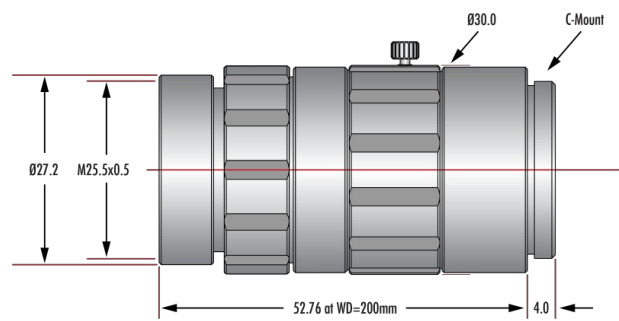
#33-303



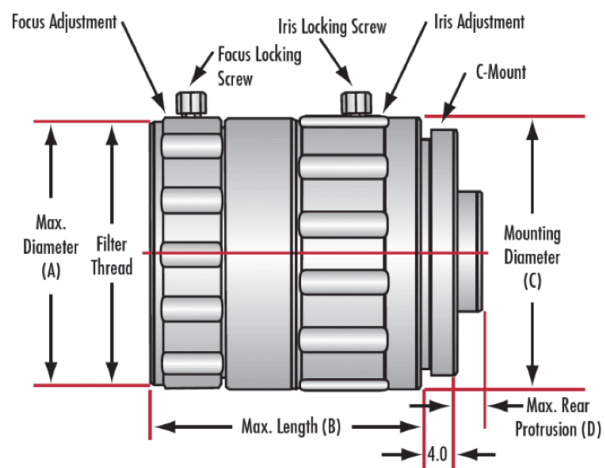
#33-304



#33-305



#33-306



**Dimensions**

Focal Length (mm)	A (mm)	B (mm)	C (mm)	D (mm)	Filter Thread
4	40	40.6	30	2.8	M62.0 x 0.75 with required filter adapter #33-308
6	36	40.9	30	3.2	M34.0 x 0.5
8	30	40.61	30	5.15	M34.0 x 0.5
12	30	35.2	30	2.7	M25.5 x 0.5
16	30	29.13	30	3.38	M25.5 x 0.5
25	30	31.28	30	4.0	M25.5 x 0.5

---

35	30	52.76	30	4.58	M25.5 x 0.5
----	----	-------	----	------	-------------

---

;