

[See all 12 Products in Family](#)

**TECHSPEC® f/2.1, 25mm Focal Length Green Series M16 Lens**



25mm Focal Length, #54-855

Stock **#54-855** **20+ In Stock**

⊖ 1 ⊕ £70.<sup>00</sup>

**ADD TO CART**

Volume Pricing	
Qty 1-49	£70.00 each
Qty 50+	£56.00 each
Need More?	<a href="#">Request Quote</a>

ⓘ Prices shown are exclusive of VAT/local taxes

Product Downloads

**General**

Green Series **Product Family:**

M12 Imaging Lens **Type:**

No **IR Cut Filter:**

Standard Lens **Imaging Lens Type:**

## Physical & Mechanical Properties

Fixed	Iris Option:
24.20	Length (mm):
18	Maximum Diameter (mm):
18	Outer Diameter (mm):
13	Weight (g):

## Optical Properties

Horizontal Field of View @ Max Sensor Format:  
34.8mm - 14.7°

Field of View at Max Sensor Format:  
Horizontal: 34.9mm - 14.7°  
Vertical: 26mm - 11°  
Diagonal: 43.9mm - 18.5°

Horizontal Field of View, 1/2" Sensor:  
34.8mm - 14.7°

Horizontal Field of View, 1/2.5" Sensor:  
31.5mm - 13.3°

Horizontal Field of View, 1/3" Sensor:  
26.0mm - 11.0°

Horizontal Field of View, 1/4" Sensor:  
19.4mm - 8.2°

Resolution:  
115 lp/mm @ 20% Contrast

Maximum Image Circle (mm):  
8.00

Numerical Aperture NA, Object Side:  
0.0429

Number of Elements (Groups):  
4(4)

Wavelength Range (nm):  
400 - 700

Focal Length FL (mm):  
25.00

Working Distance (mm):  
150 - ∞

Aperture (f/#):  
f/2.1

Distortion (%):  
-1.69 @ Full Field

Back Focal Length BFL (mm):  
12.6 - 11.9

Coating Specification:  
M4 MgF<sub>2</sub> @ 580nm

Entrance Pupil Position (mm):  
4.43

Object Space Principal Plane (mm):  
8.73

Image Space Principal Plane (mm):  
-12.83

Maximum Distortion (%):  
-1.69

Exit Pupil Position (mm):  
-18.02

Lens Wavelength Range:  
VIS

## Sensor

Maximum Sensor Format:  
1/2"

Pixel Size (μm):  
8.30

## Threading & Mounting

Filter Thread:  
N/A

Mounting Threads:  
M16 x 0.5

M16 x0.5

Mount:

## Regulatory Compliance

Compliant

RoHS 2015:

View

Certificate of Conformance:

Compliant

REACH 241:

## Product Details

- Up to 1/2", S-Mount Lens
- Up to 0.4 MegaPixels, 8.3µm Pixel Size Sensors
- Board Camera Lens Optimized for Close WD and Finite Conjugate
- 6mm to 25mm Focal Lengths

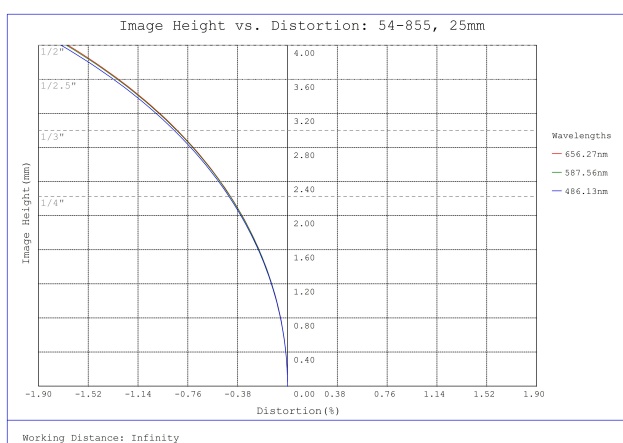
TECHSPEC® Green Series M12 Lenses designed for use in compact and board level cameras provide excellent image quality in a small, versatile package. Optimized to cover 1/3" and 1/2" sensor formats and weighing only a few grams, these machine vision lenses meet the most demanding space and weight restrictions. Each lens is threaded for M12 x0.5, except the 25.0mm focal length option ([#54-855](#)). TECHSPEC® Green Series M12 Lenses are ideal for wide angle and close focus applications, large area inspect for the automotive, forensic, pharmaceutical, and food industries. Prescription data is available by submitting a [Request for Prescription Form](#).

**Note:** Compatible [TECHSPEC M12 Imaging Lens Accessories](#) available.

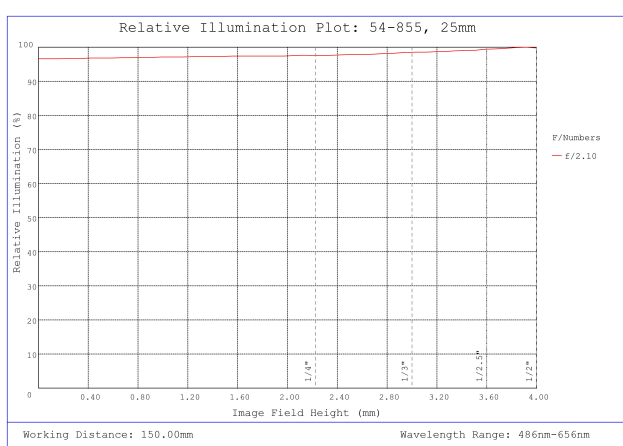
Edmund Optics has created multiple product families of our TECHSPEC® M12 S-Mount Lenses, which are designed to provide high resolution. These high performance lenses feature precision glass designs in a metal housing and have optimized specifications between each product family to meet your application needs.

- [Blue Series M12 Lenses](#): High resolution finite conjugate designs optimized for machine vision working distances.
- [Rugged Blue Series M12 Lenses](#): [Stabilized ruggedization](#) versions of our Blue Series M12 Lenses, utilizing the same optics.
- Green Series M12 Lenses: Finite conjugate designs optimized for machine vision working distances.
- [Red Series M12 Lenses](#): Infinite conjugate designs optimized for high resolution performance out to infinity.
- [HEO Series M12 Lenses](#): Harsh Environment Optics (HEO) sealed versions of our Red Series M12 Lenses.
- [Liquid Lens M12 Lenses](#): Integrated liquid lens for fast electronic focus.

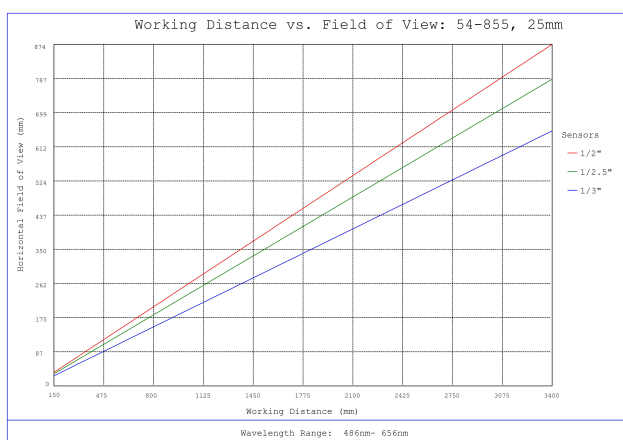
## Technical Information



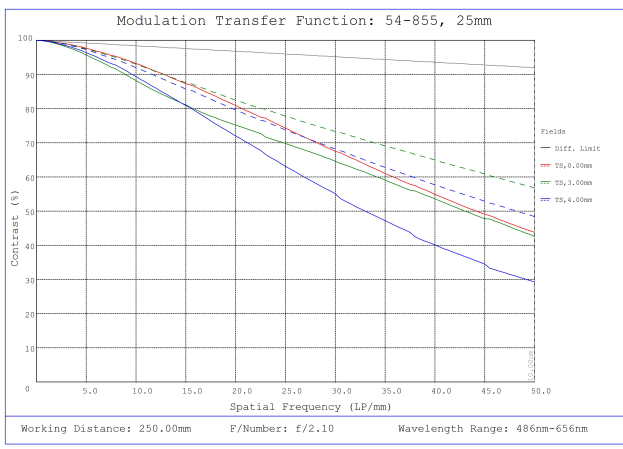
#54-855, f/2.1, 25mm Focal Length Green Series M16 Lens, Distortion Plot



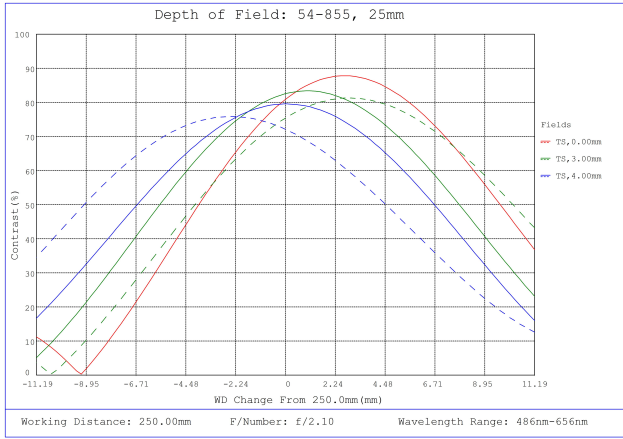
#54-855, f/2.1, 25mm Focal Length Green Series M16 Lens, Relative Illumination Plot



#54-855, f/2.1, 25mm Focal Length Green Series M16 Lens, Working Distance versus Field of View Plot

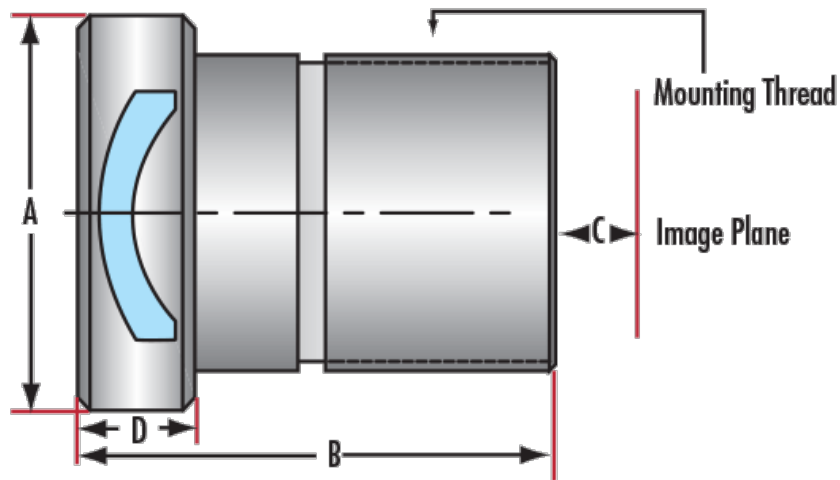


#54-855, f/2.1, 25mm Focal Length Green Series M16 Lens, Modulated Transfer Function (MTF) Plot, 250mm Working Distance, f2.1



#54-855, f/2.1, 25mm Focal Length Green Series M16 Lens, Depth of Field Plot, 250mm Working Distance, f2.1

Focal Length	A	B	C**	D	Mounting Thread
6.00	14.0	11.70	4.0 - 3.9	3.5	M12 x 0.5
8.00	14.0	20.40	8.9 - 8.7	6.0	M12 x 0.5
12.00	16.0	19.50	7.1 - 6.75	6.0	M12 x 0.5
25.00	18.0	24.40	12.6 - 11.9	9.0	M16 x 0.5



\*\*Minor adjustment required to match WD limits.