

# E-Series 19.1mm ID Adapter



E-Series 19.1mm ID Adapter (#18-291)



Stock **#18-291** **8 In Stock**

⊖ 1 ⊕ £19<sup>00</sup>

**ADD TO CART**

### Volume Pricing

|            |                               |
|------------|-------------------------------|
| Qty 1-9    | £19.20 each                   |
| Qty 10+    | £18.40 each                   |
| Need More? | <a href="#">Request Quote</a> |

ⓘ Prices shown are exclusive of VAT/local taxes

### Product Downloads

### General

Fixed **Type:**

### Physical & Mechanical Properties

19.1 **Inner Diameter (mm):**

29.9 Dia. **Dimensions (mm):**

21.00 **Thickness (mm):**

Black Anodized Aluminum **Construction:**

25.4mm Dia. Optic Mounts **Size of Compatible Mount (mm):**

### Regulatory Compliance

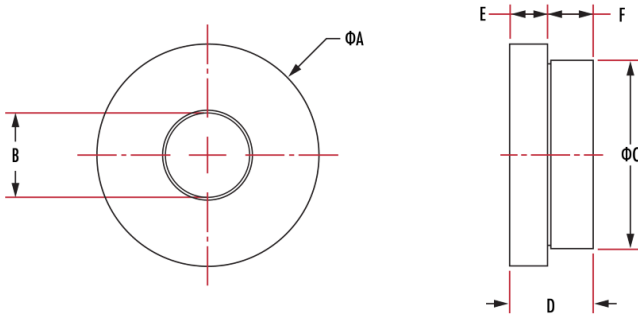
RoHS 2015:

## Product Details

- Adapt Kinematic or [Fixed Mirror Mounts](#) into [Tube Threaded Mounts](#)
- Available with [S-Mount](#), [C-Mount](#), [T-Mount](#), [SM05](#), [SM1](#), and [SM2](#) Threads
- Thru-Hole Versions Available for [Multi-Element Tube System](#) Components

E-Series Kinematic Mount Threaded Adapters are a simple way to turn any standard kinematic or fixed mirror mount into a threaded mount. Featuring common threads compatible with our [S-, C-, and T-Mount Tube System](#), [ID Tube System](#), and [Multi-Element \(ME\) Tube System](#), these adapters allow optical components from 3mm to 50.8mm diameter to be easily integrated with our [E-Series Kinematic Optical Mirror Mounts](#). Thru-hole adapters compatible with 30mm C-Mount Barrels, ID1 Lens Tubes, ME Tubes, and [Coherent® StingRay™ and BioRay™ Laser Diode Modules](#) are also available for added flexibility in building optical systems. E-Series Kinematic Mount Threaded Adapters are a cost-effective solution to add versatility to an optical system.

## Technical Information



| Dimensions (mm) |           |         |           |       |       |       |
|-----------------|-----------|---------|-----------|-------|-------|-------|
| Stock Number    | A         | B       | C         | D     | E     | F     |
| 18-282          | 30 Dia.   | S-Mount | 25.4 Dia. | 11.20 | 5.00  | 5.70  |
| 18-283          | 56 Dia.   | C-Mount | 50.8 Dia. | 16.50 | 8.00  | 8.00  |
| 18-284          | 56 Dia.   | T-Mount | 50.8 Dia. | 16.50 | 8.00  | 8.00  |
| 18-285          | 30 Dia.   | SM05    | 25.4 Dia. | 11.20 | 5.00  | 5.70  |
| 18-286          | 56 Dia.   | SM1     | 50.8 Dia. | 16.50 | 8.00  | 8.00  |
| 18-287          | 84 Dia.   | SM2     | 76.2 Dia. | 19.50 | 8.00  | 11.00 |
| 18-289          | 56 Dia.   | 30      | 50.8 Dia. | 18.50 | 10.00 | 8.00  |
| 18-291          | 29.9 Dia. | 19.1    | 25.4 Dia. | 21.00 | 15.00 | 5.50  |