

## 9.0mm Optic Dia., Optic Mount



Optic Component Mounts

Stock #64-553 **8 In Stock**

⊖ 1 ⊕ £26<sup>20</sup>

**ADD TO CART**

### Volume Pricing

|            |                               |
|------------|-------------------------------|
| Qty 1-9    | £26.20 each                   |
| Qty 10+    | £23.68 each                   |
| Need More? | <a href="#">Request Quote</a> |

ⓘ Prices shown are exclusive of VAT/local taxes

### Product Downloads

### General

Fixed **Type:**  
Circular **Type of Optics:**

### Physical & Mechanical Properties

6.0 **Clear Aperture CA (mm):**

|                         |  |
|-------------------------|--|
| 30.0                    | <b>Outer Diameter (mm):</b>                      |
| 12.00                   | <b>Thickness (mm):</b>                           |
| Black Anodized Aluminum | <b>Construction:</b>                             |
| 6.00                    | <b>Max. Thickness of Compatible Optics (mm):</b> |

### Threading & Mounting

|                  |  |
|------------------|--|
| 9.0              | <b>Size of Compatible Optics (mm):</b> |
| M6 x 1.0, 1/4-20 | <b>Compatible Post:</b>                |

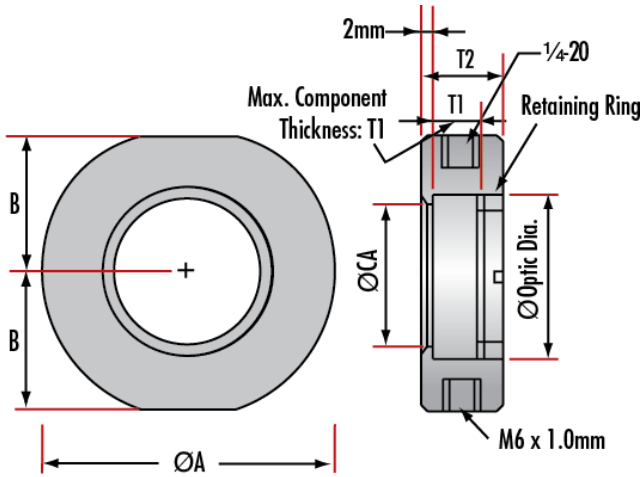
### Regulatory Compliance

|                           |                                    |
|---------------------------|------------------------------------|
| <a href="#">Compliant</a> | <b>RoHS 2015:</b>                  |
| <a href="#">View</a>      | <b>Certificate of Conformance:</b> |
| <a href="#">Compliant</a> | <b>Reach 247:</b>                  |

### Product Details

- Simple Mounting Arrangement
  - Metric and English Configurations
  - Black Anodized Aluminum Construction
  - [Posts](#) and [Post Holders](#) Required for Mounting
- Optic Component Mounts are designed to hold lenses, filters, mirrors, and other optical components. The included retainer ring securely holds the component in place. Optic Component Mounts need the required [posts](#) and [post holders](#) for mounting to a breadboard. Both English (1/4-20) and Metric (M6) standard posts are accepted by the mounts. These mounts are constructed of black anodized aluminum in a simple mounting arrangement.

### Technical Information



| Maximum Optic Diameter | Clear Aperture (CA) | Mount Diameter A | B    | Maximum Optic Thickness T1 | Mount Thickness T2 | Stock No.               |
|------------------------|---------------------|------------------|------|----------------------------|--------------------|-------------------------|
| 5                      | 4                   | 30               | 13.5 | 5.7                        | 12                 | <a href="#">#64-551</a> |
| 6                      | 5                   | 30               | 13.5 | 5.7                        | 12                 | <a href="#">#64-552</a> |
| 9                      | 6                   | 30               | 13.5 | 6                          | 12                 | <a href="#">#64-553</a> |
| 10                     | 7                   | 30               | 13.5 | 6                          | 12                 | <a href="#">#64-554</a> |
| 12                     | 9                   | 35               | 16.0 | 10                         | 16                 | <a href="#">#64-555</a> |
| 12.7                   | 9.5                 | 35               | 16.0 | 10                         | 16                 | <a href="#">#64-556</a> |
| 15                     | 12                  | 35               | 16.0 | 10                         | 16                 | <a href="#">#64-557</a> |
| 18                     | 15                  | 40               | 19.0 | 12                         | 18                 | <a href="#">#64-558</a> |
| 20                     | 17                  | 40               | 19.0 | 12                         | 18                 | <a href="#">#64-559</a> |
| 25                     | 22                  | 45               | 21.5 | 10                         | 16                 | <a href="#">#64-560</a> |
| 25.4                   | 22                  | 45               | 21.5 | 10                         | 16                 | <a href="#">#64-561</a> |
| 25.4                   | 22                  | 45               | 21.5 | 13                         | 19                 | <a href="#">#65-562</a> |
| 30                     | 26                  | 50               | 24.0 | 6                          | 12                 | <a href="#">#64-563</a> |
| 30                     | 26                  | 50               | 24.0 | 12                         | 18                 | <a href="#">#64-564</a> |
| 38.1                   | 34                  | 60               | 29.0 | 12                         | 18                 | <a href="#">#64-565</a> |
| 40                     | 36                  | 60               | 29.0 | 12                         | 18                 | <a href="#">#64-566</a> |
| 50                     | 46                  | 70               | 34.0 | 12                         | 18                 | <a href="#">#64-567</a> |
| 50                     | 46                  | 70               | 34.0 | 18                         | 24                 | <a href="#">#64-568</a> |
| 50.8                   | 46                  | 70               | 34.0 | 12                         | 28                 | <a href="#">#64-569</a> |

