

## TECHSPEC® 8mm, f/8 UCi Series Fixed Focal Length Lens



8mm, f/1.8 UCi Series Fixed Focal Length Lens



Stock #28-638 **NEW** [CONTACT US](#)

− 1 + £188.<sup>00</sup>

**ADD TO CART**

### Volume Pricing

Qty 1+	£188.00 each
Need More?	<a href="#">Request Quote</a>

**i** Prices shown are exclusive of VAT/local taxes

### Product Downloads

#### General

UCi Series **Product Family:**

Fixed Focal Length Lens **Type:**

Fixed Focal Length Lens **Imaging Lens Type:**

## Physical & Mechanical Properties

Fixed Iris Option:

49.75 Length (mm):

34 Maximum Diameter (mm):

34 Outer Diameter (mm):

25 Weight (g):

4.25 Maximum Rear Protrusion (mm):

44.50 Maximum Length (mm):

## Optical Properties

44.7° Horizontal Field of View @ Max Sensor Format:

44.7° Horizontal Field of View, 1/2" Sensor:

40.7° Horizontal Field of View, 1/2.5" Sensor:

33.9° Horizontal Field of View, 1/3" Sensor:

25.6° Horizontal Field of View, 1/4" Sensor:

8.00 Maximum Image Circle (mm):

0.0069 Numerical Aperture NA, Object Side:

9 (8) Number of Elements (Groups):

8.00 Focal Length FL (mm):

50 - ∞ Working Distance (mm):

f/8 Aperture (f/#):

λ/4 MgF2 Coating:

λ/4 MgF2 Coating Specification:

22.07 Entrance Pupil Position (mm):

27.98 Object Space Principal Plane (mm):

1.77 Image Space Principal Plane (mm):

6.87 Maximum Distortion (%):

-20.88 Exit Pupil Position (mm):

VIS Lens Wavelength Range:

VIS Wavelength:

## Sensor

1/2.5" Optimized Sensor Format:

1/2" Maximum Sensor Format:

1.85 Pixel Size (μm):

## Threading & Mounting

M34 X0.05 Filter Thread:

N/a Filter Thread Adapter:

C-Mount Mount:

## Environmental & Durability Factors

### Storage Temperature (°C):

-20 to +60 For questions regarding operating temperature please contact our support team

### Type of Ruggedization:

Industrial (Fixed Aperture with Simplified Mechanics)

## Regulatory Compliance

### Certificate of Conformance:

[View](#)

## Product Details

- Up to 1/1.8", C-Mount, S-Mount Lens
- Up to 12 MegaPixels, 1.85µm Pixel Size Sensors
- Instrumentation (UCi) versions of our UC Series Lenses with Streamlined Mechanical Designs and Fixed Apertures
- 4mm to 35mm Focal Length

TECHSPEC® UCi Series Fixed Focal Length Lenses utilize the same optics as the TECHSPEC UC Series Lenses and feature 4K resolution. These lenses are designed for small pixels  $\leq 2.2\mu\text{m}$  and offer a wide range of fixed apertures for a variety of applications. While optimized for 1/2.5" sensors, many focal length options can be used on sensors up to 1/1.8". TECHSPEC® UCi Series Fixed Focal Length Lenses are ideal for OEM applications that require small, robust, and lightweight imaging solutions.

**Note:** For adjustable aperture options, see our [TECHSPEC® UC Series Fixed Focal Length Lenses](#).

Edmund Optics has created a family of high-performance ultra-compact optical designs (the UC Series family) and developed 3 customized optomechanical solutions targeted for specific applications. These lens sub-families utilize the same optics as the UC Series lenses providing the same optical performance in a variety of optomechanical solutions to meet your application requirements:

**UC Series:** Features locking cam focus and iris adjustment in an ultra-compact design and is the most adjustable version of these optical designs; they are the typical high-quality machine vision lenses.

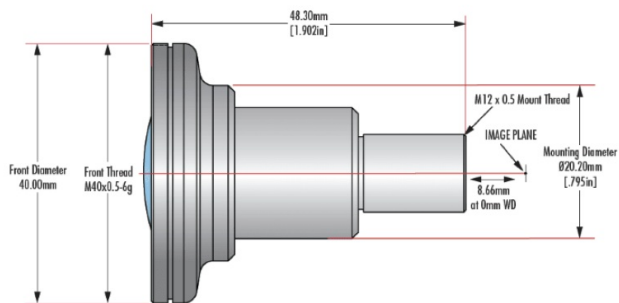
**UCi Series:** Simplified mechanics featuring fixed apertures with compact housing. [Industrial Ruggedization](#) for reduced size, cost, and locked focus.

**UCr Series:** All optics glued in place and a locking C-clamp focus ring. [Stabilized Ruggedization](#) for reduced pixel shift and improved focus stability.

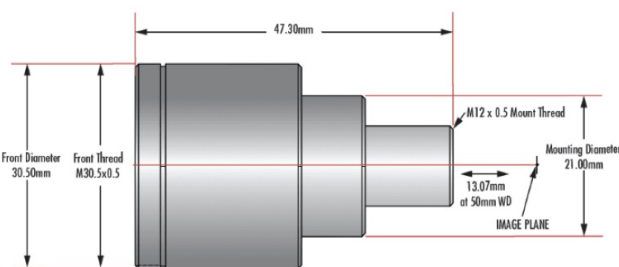
**UCw Series:** Waterproof, designed to meet IEC [Ingress Protection](#) Code IPX7 to withstand exposure to water up to 1 meter depth for 30 minutes.

## Technical Information

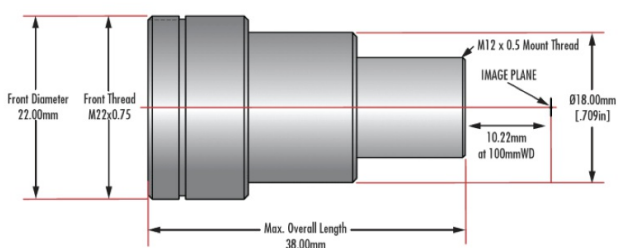
### 4mm Focal Length



### 6mm Focal Length



### 12mm Focal Length



### 16mm Focal Length



### 25mm Focal Length



### 35mm Focal Length

