

TECHSPEC® 70mm, Center Drive, Standard Top, Metric Extended Micrometer



#66-427 - 70mm, 0.5" Travel, Micrometer Drive Stage (Center Drive)

Stock **#66-434** **2 In Stock**

⊖ 1 ⊕ £472.⁰⁰

ADD TO CART

Volume Pricing	
Qty 1-2	£472.00 each
Qty 3+	£411.92 each
Need More?	Request Quote

ⓘ Prices shown are exclusive of VAT/local taxes

Product Downloads

General

Metric **Type:**

Physical & Mechanical Properties

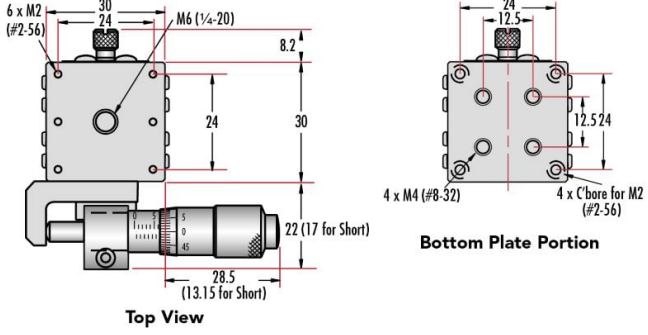
Linear (X) **Type of Movement:**

Crossed Roller Bearing **Guide System:**

30mm Standard-Top Stages - Center Drive



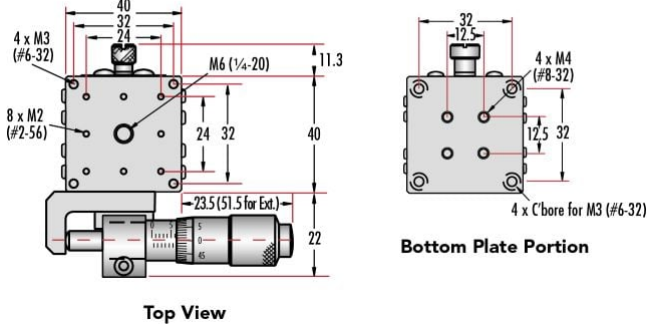
30mm Standard-Top Stages - Side Drive



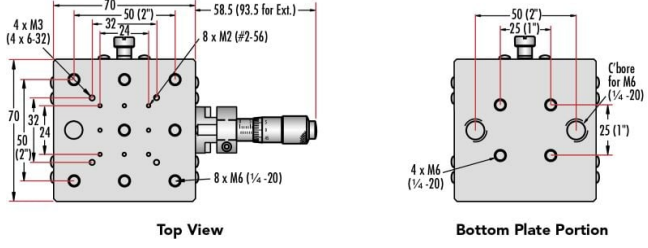
40mm Standard-Top Stages - Center Drive



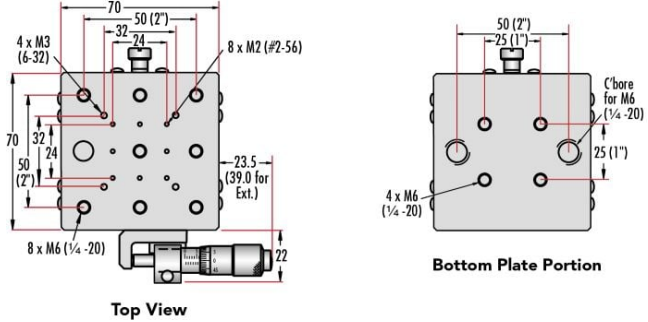
40mm Standard-Top Stages - Side Drive



70mm Standard-Top Stages - Center Drive



70mm Standard-Top Stages - Side Drive



125mm Standard-Top Stages - Center Drive



125mm Standard-Top Stages - Side Drive

