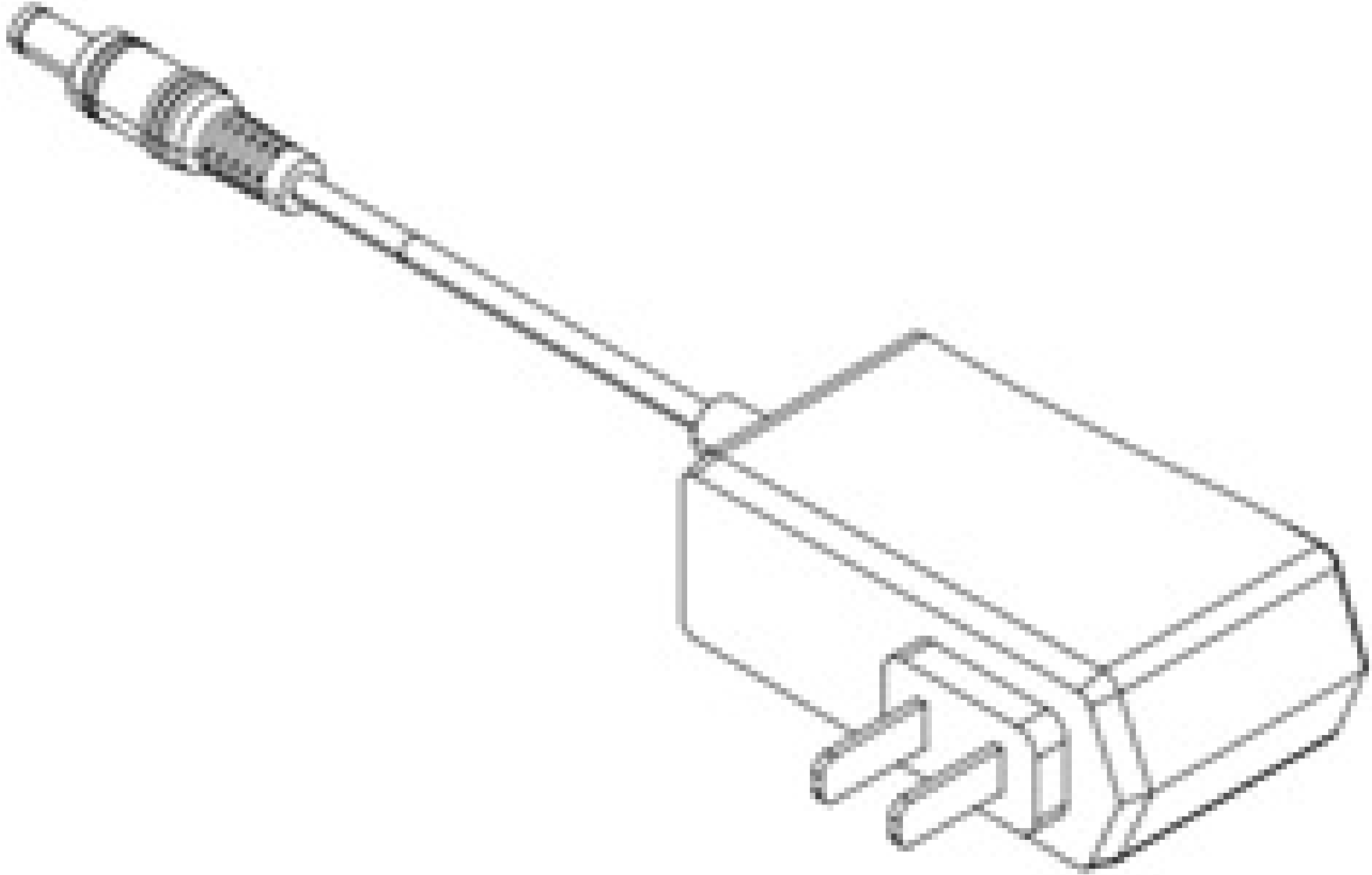


6V DC/1A Power Supply



#19-468: 6VDC/1A Power Supply

Stock **#19-468** **4 In Stock**

⊖ 1 ⊕ £38⁰⁰

ADD TO CART

Volume Pricing

Qty 1+	£38.40 each
Need More?	Request Quote

ⓘ Prices shown are exclusive of VAT/local taxes

Product Downloads



Regulatory Compliance

Compliant

RoHS 2015:

[View](#)

Certificate of Conformance:

Compliant

Reach 2002:

Product Details

- TTL Modulation up to 10kHz
- Circular and Elliptical Beam Profiles
- Focus Adjustable

Violet and Blue Alignment Laser Diodes are ideal for alignment and sensing applications. Available with output power options ranging from 1 to 100mW, these lasers are commonly integrated into visual-based systems or monochromatic vision systems. Because monochromatic vision systems are typically illuminated with green or red lights, a 405 or 450nm alignment laser can be easily filtered out without affecting the system's illumination. These lasers feature simple operation due to the integrated optics and electronics and are easily powered via a 5VDC source. Violet and Blue Alignment Laser Diodes feature an external focusing mechanism and accept interchangeable projection heads.

Note: Power supply and mounting bracket sold separately.
