

630nm LED Area Light



Stock #63-308 CLEARANCE 5 In Stock

- 1 + £379¹⁶

ADD TO CART

Volume Pricing

Qty 1+	£379.16 each
Need More?	Request Quote

1 Prices shown are exclusive of VAT/local taxes

Product Downloads

General

LED Lifetime (hours):
100,000

Irradiance at 100mm (W/m²):
228.00

Type of Illumination:
LED Illuminator

Geometry:
Area Light

Illumination Mode:

Strobed or Constant

Physical & Mechanical Properties

35.00 **Diameter (mm):**

29.5 **Height (mm):**

Optical Properties

Red **Color:**

30.00 **Full Width-Half Max FWHM (nm):**

630 **Wavelength (nm):**

±9.2 **Divergence Angle (°):**

45.00 **Spot Size at 100mm Working Distance (mm):**

Hardware & Interface Connectivity

Power Supply:

Power Supply Required and Sold Separately.

USA: [#59-433](#)

Europe: Not Available

Japan: [#59-433](#)

Korea: Not Available

China: [#59-433](#)

Regulatory Compliance

RoHS 2015:
Compliant

Reach 209:
Compliant

Certificate of Conformance:
[View](#)

Product Details

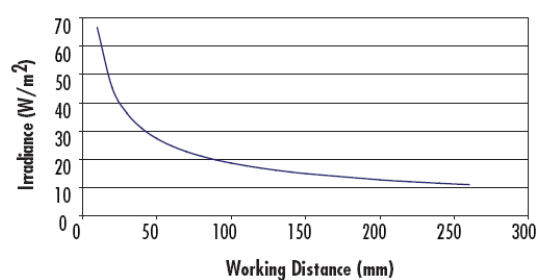
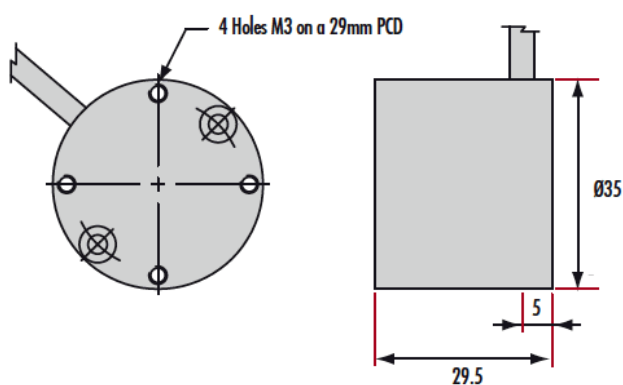
[#59-433](#) Universal Power Supply is required for operation. [#59-371](#) DC Current Controller is required for UV area lights. [#63-342](#) Area and Spot Light Heat Sink is recommended to maintain performance and optimize product lifetime.

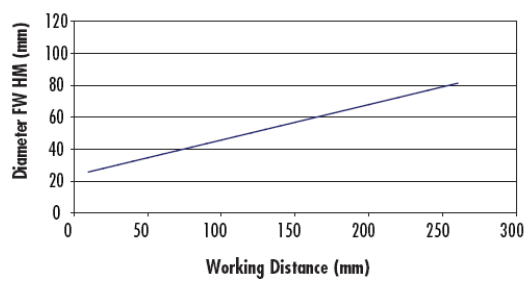
- Variable Intensity with DC Current Controller
- Excellent Uniformity
- 100,000 Hour Product Lifetime
- [Heat Sinks and Power Supplies](#) Sold Separately

Compact LED Area Lights provide the high-power illumination required in machine vision, biomedical, fluorescence, and strobing applications. Each LED module contains four M3 mounting holes on a 29mm diameter circle. The universal power supply, which accepts a 90 - 245V AC input, ships with clip-on adapters for the US, Europe, and UK. Through the DIN rail mountable DC current controller, LED intensity can be adjusted manually via a potentiometer or by supplying a 0 - 5V analog control input. The DC current controller is designed to deliver up to 400mA at 24V.

Note: [#59-433](#) Universal Power Supply is required for operation. [#59-371](#) DC Current Controller is required for UV area lights. [#63-342](#) Area and Spot Light Heat Sink is recommended to maintain performance and optimize product lifetime.

Technical Information





;