

TECHSPEC® 600 x 450mm Linear Plastic Polarizer (XP42-200)



Stock #14-341 **5 In Stock**

- 1 + £282.⁴⁰

ADD TO CART

Volume Pricing	
Qty 1-5	£282.40 each
Qty 6-49	£225.84 each
Qty 50-99	£212.08 each
Need More?	Request Quote

! Prices shown are exclusive of VAT/local taxes

Product Downloads

General

Linear Polarizer **Type:**

Physical & Mechanical Properties

450.00 **Length (mm):**

600.0 x 450.0 ±5.0 **Dimensions (mm):**

2.22 ±0.25	Thickness (mm):
Polarizing Film on PMMA	Construction:
600.00	Width (mm):
Optical Properties	
9000:1	Extinction Ratio:
XP42-200 on PMMA	Substrate: <input type="checkbox"/>
Single: 42 Parallel: 36 Crossed: <0.004	Transmission (%):
400 - 700	Wavelength Range (nm):
>99.98	Polarization Efficiency (%):
Environmental & Durability Factors	
-40 to +80	Operating Temperature (°C):
Regulatory Compliance	
Compliant	RoHS 2015:
View	Certificate of Conformance:
Compliant	Reach 235:

Product Details

- Excellent Extinction Ratio of 9000:1
- Increased Durability through Lamination on PMMA
- High Transmission of Unpolarized Light from 400 – 700nm

TECHSPEC® High Contrast Plastic Linear Polarizers (XP42-200 & XP42-300) are ideal for a variety of imaging applications. Offered in multiple sizes, these linear polarizers feature an excellent extinction ratio and high transmission of unpolarized light from 400 – 700nm. The plastic substrate results in a lightweight polarizer, ideal for weight constrained applications. TECHSPEC® High Contrast Plastic Linear Polarizers (XP42-200 & XP42-300) offer increased durability compared to [polarizing film](#).

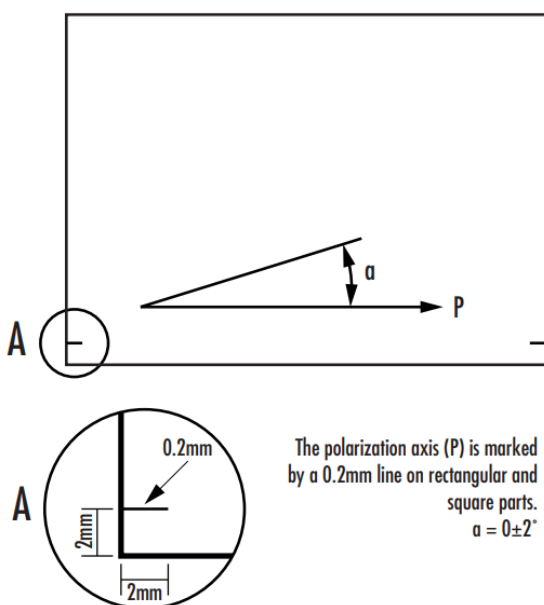
When unpolarized light enters a linear polarizer, the light that is polarized perpendicular to the polarization axis is absorbed, and light parallel to the polarization axis is transmitted. TECHSPEC® High Contrast Plastic Linear Polarizers (XP42-200) utilize a stretched PVA film to create the polarization axis. To increase durability, the film is then laminated between two plastic plates.

Note: These linear polarizers are not recommended for laser applications.

Immediate Custom Quotes Available

If you have a need for any round, square, or rectangular size of a TECHSPEC High Contrast Plastic Linear Polarizers (XP42-200) in dimensions between 3mm and 600mm, please visit our [Polarizing Film Tool](#). We'll provide an immediate quote, and can deliver the part to your requested size in approximately 3 weeks. A full list of standard manufacturing tolerances and restrictions are listed. For fully customized polymer polarizers to your requirements, visit our [Customized Polymer Polarizers Capabilities](#) page.

Technical Information



The polarization axis (P) is marked by a 0.2mm line on rectangular and square parts.
 $\alpha = 0 \pm 2^\circ$