

5X EO HR Infinity Corrected Objective



5XEOHR Infinity Corrected Objective (#58-371)

Stock **#58-371** **1 In Stock**

⊖ 1 ⊕ £2,024⁰⁰

ADD TO CART

Volume Pricing

Qty 1-4	£2,024.00 each
Qty 5+	£1,922.40 each
Need More?	Request Quote

ⓘ Prices shown are exclusive of VAT/local taxes

Product Downloads

General

28-20-44-000 **Model Number:**

Compatible Tube Lens Focal Length (mm):
Focal Length: 200mm

Microscope Objective **Type:**

Infinity Corrected **Style:**

Physical & Mechanical Properties

61.00 Length excluding Threads (mm):

34 Maximum Diameter (mm):

210.00 Weight (g):

Optical Properties

1.28mm Horizontal Field of View, 1/2" Sensor:

1.80mm Horizontal Field of View, 2/3" Sensor:

11.00 Field Stop Diameter (mm):

40.00 Focal Length FL (mm):

5X Magnification:

0.23 Numerical Aperture NA:

1.5 Resolving Power (μm):

10.90 Depth of Field (μm):

34.00 Working Distance (mm):

400 - 700 Wavelength Range (nm):

95 Parfocal Length (mm):

N/A Immersion Liquid:

Threading & Mounting

M26 x 36 TPI Mounting Threads:

Environmental & Durability Factors

+23 \pm 5 Operating Temperature ($^{\circ}\text{C}$):

30 - 70% Operating Humidity:

Regulatory Compliance

[Compliant](#) RoHS 2015:

[View](#) Certificate of Conformance:

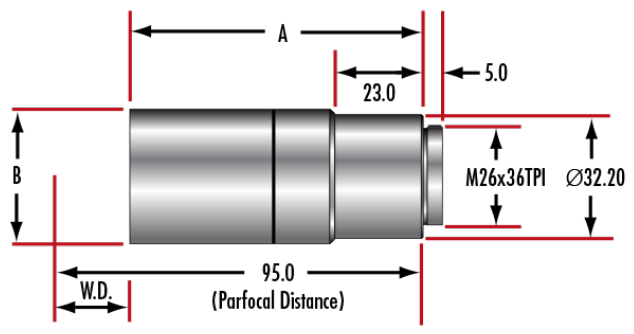
[Compliant](#) Reach 235:

Product Details

- High Resolving Power
- Designed for use in Zoom Lens Systems
- Features Mitutoyo Standard M26 x 36 TPI Threads

EO High Resolution Infinity Corrected Objectives are designed for high resolution over a small field of view. These objectives feature Mitutoyo standard M26 x 36 TPI threads and a 95mm parfocal length which allows them to be used interchangeably with Mitutoyo microscopes and accessories. While usable with Mitutoyo microscopes and accessories, these objectives perform best when used in a zoom lens system. EO High Resolution Infinity Corrected Objectives feature near-diffraction limited on axis performance. For longer working distance objectives that can be used in Mitutoyo systems, see our [EO Infinity Corrected Long Working Distance Objectives](#).

Technical Information



;