

**TECHSPEC® 50mm Diameter, T-Mount Thin Optic Mount**



50mm Diameter, T-Mount Thin Lens Mount, #88-943



Stock **#88-943** [CONTACT US](#)

− 1 + £82<sup>40</sup>

**ADD TO CART**

Volume Pricing

Qty 1-4	£82.40 each
Qty 5-9	£71.68 each
Qty 10-25	£65.92 each
Need More?	<a href="#">Request Quote</a>

ⓘ Prices shown are exclusive of VAT/local taxes

Product Downloads

**General**

Fixed **Type:**

Optic Mount (Fixed) **Function:**

Type of Optics:

Circular

Physical & Mechanical Properties

Extension Length (mm):

22.0

Total Length (mm):

25.45

Min. Thickness of Compatible Optics (mm):

2.0

Max. Thickness of Compatible Optics (mm):

10.0

Clear Aperture CA (mm):

38.0

Construction:

Black Anodized Aluminum (6061 T6)

Outer Diameter (mm):

53.0

Threading & Mounting

Thread Type:

T-Mount

Diameter of Compatible Optics (mm):

50.0

Regulatory Compliance

RoHS 2015:

Compliant

Certificate of Conformance:

[View](#)

REACH 241:

Compliant

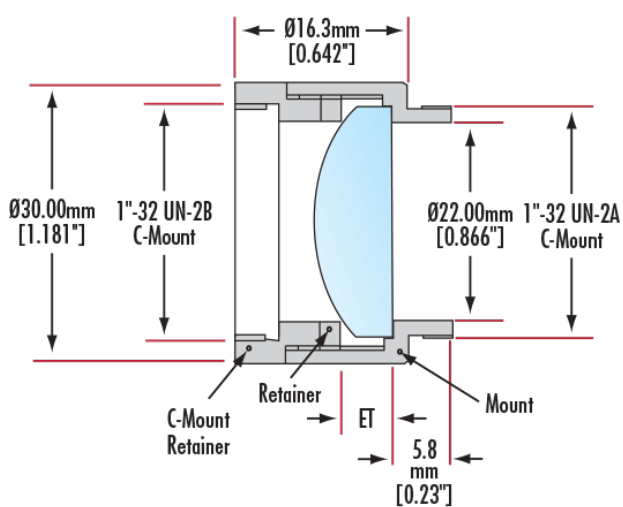
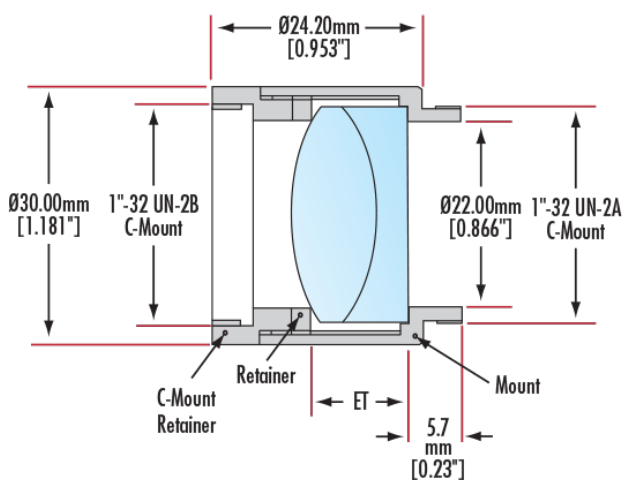
Product Details

- Mounts for Simple Lenses, Achromats, Filters, or Reticles
- Designed to Integrate with Any C, S, or T-Mount Components
- Optic is Held in Place with Included Retaining Ring

TECHSPEC® C, S, and T-Mount Circular Optic Mounts are designed to mount a variety of circular optical components into C, S, or T-Mount compatible systems. An included threaded retainer ring, designed to accept a standard spanner wrench, securely holds the optical component. These circular optic mounts are compatible with a wide variety of Edmund Optics optomechanical components utilizing C, S, or T-Mount threads, such as [extension tubes](#) and [kinematic mounts](#). TECHSPEC® C, S, and T-Mount Circular Optic Mounts are threaded for 1" x 32TPI, M12 x 0.5, or M42 x 0.75 mounting, with 30mm, 16mm, and 48mm outer diameters, respectively. These mounts are ideal for creating and personalization of a diverse range of optical systems.

**Note:** #56-353, #56-354, #52-933, and #52-292 are all 3-part assemblies

Technical Information





### S-Thread Simple / Thin Lens Mount



### S-Thread Simple /Thin Lens Mount



### S-Thread Achromat / Thick Lens Mount





#58-741

