

[See all 3 Products in Family](#)

50.0/50.8mm Optic Dia., E-Series Clear Edge Kinematic Mount



#17-280, 50.0/50.8mm Optic Dia., E-Series Clear Edge Kinematic Mount

Stock **#17-280** [CONTACT US](#)

⊖ 1 ⊕ £91²⁰

ADD TO CART

Volume Pricing	
Qty 1-9	£91.20 each
Qty 10-19	£86.64 each
Qty 20+	£82.08 each
Need More?	Request Quote

ⓘ Prices shown are exclusive of VAT/local taxes

Product Downloads

General

Adjustable - Tip-Tilt **Type:**

Circular **Type of Optics:**

2 **Number of Adjustment Screws:**

Physical & Mechanical Properties

46 **Clear Aperture CA (mm):**

Construction:
Aluminum Plates, Stainless Steel Screws, and Brass Thread Bushings

±3.5 **Fine Tilt Angle (°):**

±3.5 **Fine Tip Angle (°):**

0.25 **Adjustment Screw Pitch (mm):**

2 **Min. Thickness of Compatible Optics (mm):**

38.10 **Optical Axis Height (mm):**

Threading & Mounting

50.0 - 50.8 **Size of Compatible Optics (mm):**

M6 x 1.0, M4 x 0.7, 8-32 **Compatible Post:**

Regulatory Compliance

[Compliant](#) **RoHS 2015:**

[View](#) **Certificate of Conformance:**

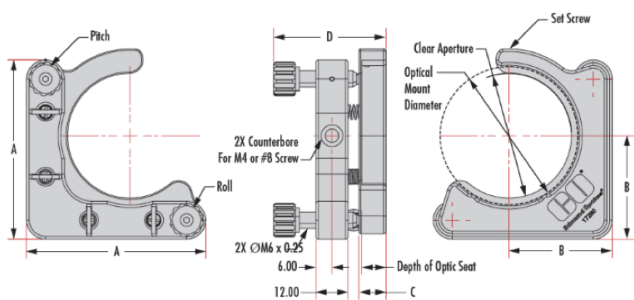
[Compliant](#) **Reach 247:**

Product Details

- 120° Clear Edge for Mounting Beamsplitters and Transmissive Optics
- Economically Priced
- Essential Mounts for Experiments and OEM Systems

E-Series Clear Edge Kinematic Optical Mirror Mounts offer many features essential for applications in R&D, prototyping, and system integration. Featuring a 120° cut out, these mounts are ideal for mounting beamsplitters and transmissive optics while accommodating a wider beam path when mounted at a 45° angle. The two M6 x 0.25 (101.6 TPI) adjustment screws provide smooth movement and can be driven by hand or by Allen key (2mm key size) for tip and tilt optical adjustment and alignment ($\pm 3.5^\circ$). The adjustment screw knobs are removable to create a more compact form factor. E-Series Clear Edge Kinematic Optical Mirror Mounts feature mounting holes with both a counterbore designed to accommodate M4 or 8-32 mounting hardware, and M6 x 1.0 internal threads for increased mounting versatility and direct compatibility to [TECHSPEC® Stainless Steel Mounting Posts](#) and [Pedestal Posts](#).

Technical Information



Dimensions				
Optical Mount Dia. (mm)	A (mm)	B (mm)	C (mm)	D (mm)
12.5/12.7	43.5	25.4	8.0	39.5
25/25.4	43.5	25.4	8.0	39.5
50/50.8	66.0	38.1	10.0	41.5