

## 4X Objective, Nikon CFI Super Fluor

See More by [Nikon](#)



Stock #75-345 **NEW** [CONTACT US](#)

1 **£4,312.00**

**ADD TO CART**

### Volume Pricing

Qty 1+	£4,312.00 each
Need More?	<a href="#">Request Quote</a>

Prices shown are exclusive of VAT/local taxes

### Product Downloads

### General

Model Number:  
MRF00041

Compatible Tube Lens Focal Length (mm):  
Focal Length: 200mm

Type:  
Microscope Objective

Style:  
Infinity Corrected

Manufacturer:  
Nikon

### Physical & Mechanical Properties

Field of View (mm):

5.5

Length (mm):

49.30

Length excluding Threads (mm):

44.30

Maximum Diameter (mm):

32

Weight (g):

110

### Optical Properties

Compatible Cover Glass Thickness (mm):

0.17

Horizontal Field of View, 1/2" Sensor:

1.60mm

Horizontal Field of View, 2/3" Sensor:

2.20mm

Magnification:

4X

Numerical Aperture NA:

0.20

Working Distance (mm):

15.5

Field Number (mm):

22

Parfocal Length (mm):

60.06

Immersion Liquid:

N/A

### Sensor

Maximum Sensor Format:

2/3"

### Threading & Mounting

Mounting Threads:

M25 x 0.75

### Regulatory Compliance

Certificate of Conformance:

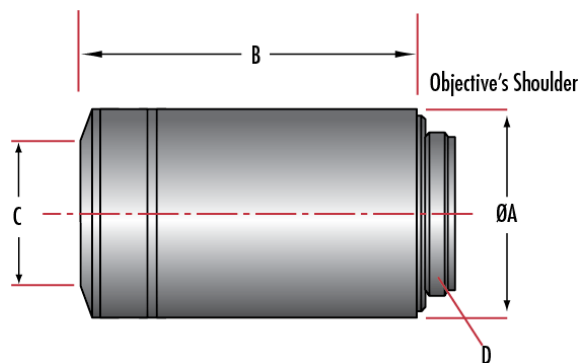
[View](#)

## Product Details

- Superior UV Transmission
- High Numerical Aperture Designs
- Feature Low Auto-Fluorescence Materials

Nikon CFI Super Fluor Objectives are designed to provide superior transmission to ultraviolet applications operating down to 340nm, including for use with fluorochromes indo-1, fura-2, and fluo-3, or for photo-activation of caged compounds. Nikon CFI Super Fluor Objectives are designed using low auto-fluorescence materials along with high numerical apertures to guarantee sharp, bright fluorescence images. These microscope objectives have been optimized for improved signal-to-noise ratios at short wavelengths.

## Technical Information



Dimensions (mm)						
Stock No.	Magnification	Parafocal Length	A	B	C	D
#88-374	4X	60.06	30.0	44.4	19.7	M25 x 0
#88-375	10X	60.06	32.0	58.7	8.0	M25 x 0
#88-376	20X	60.06	33.5	58.9	9.0	M25 x 0
#88-377	40X	60.06	33.0	59.6	7.5	M25 x 0