

**TECHSPEC® 40mm, Side Drive, Standard Top, English, Micrometer Stage**



40mm, Side Drive, Standard Top

Stock **#66-406** **2 In Stock**

⊖ 1 ⊕ £350<sup>40</sup>

**ADD TO CART**

Volume Pricing

Qty 1-2	£350.40 each
Qty 3+	£305.60 each
Need More?	<a href="#">Request Quote</a>

ⓘ Prices shown are exclusive of VAT/local taxes

Product Downloads

**General**

English **Type:**

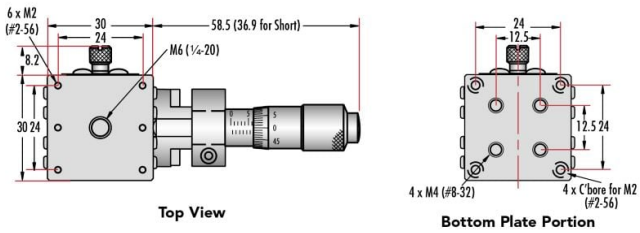
**Physical & Mechanical Properties**

Linear (X) **Type of Movement:**

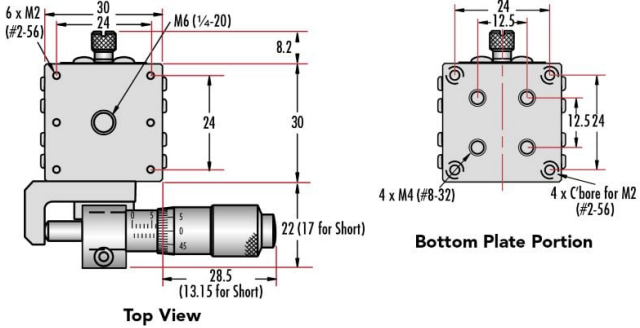
Crossed Roller Bearing **Guide System:**



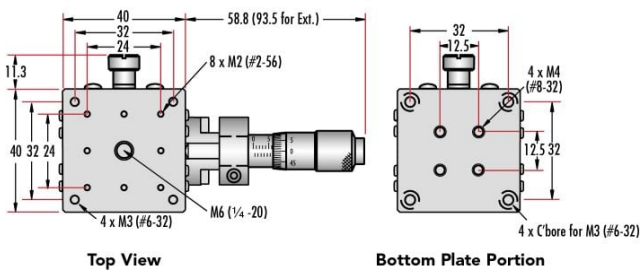
**30mm Standard-Top Stages - Center Drive**



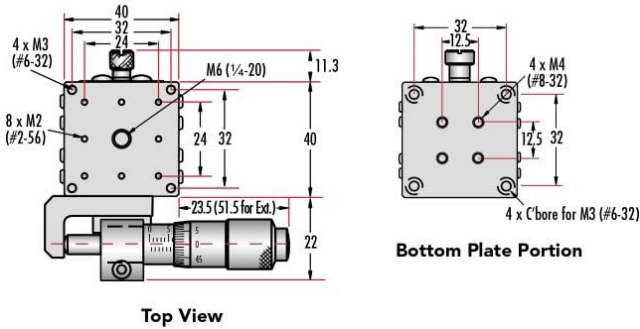
**30mm Standard-Top Stages - Side Drive**



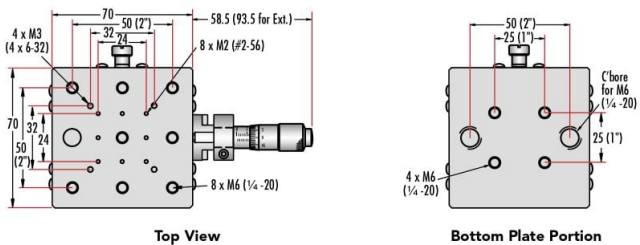
**40mm Standard-Top Stages - Center Drive**



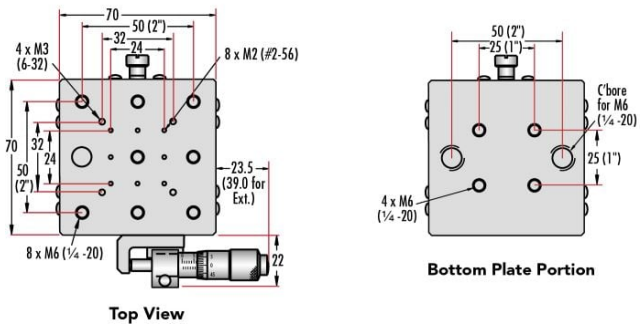
**40mm Standard-Top Stages - Side Drive**



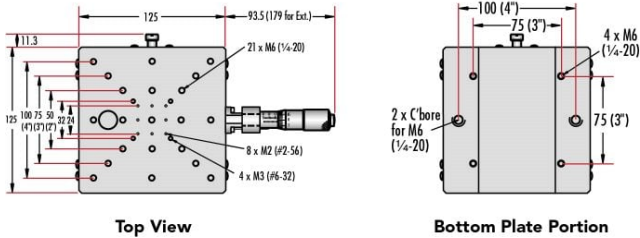
**70mm Standard-Top Stages - Center Drive**



**70mm Standard-Top Stages - Side Drive**



**125mm Standard-Top Stages - Center Drive**



**125mm Standard-Top Stages - Side Drive**

