

**TECHSPEC® 40mm, Center Drive, Standard Top, Metric Extended Micrometer**



Stock **#66-410** **7 In Stock**

- 1 + £368.<sup>00</sup>

ADD TO CART

Volume Pricing	
Qty 1-2	£368.00 each
Qty 3+	£321.28 each
Need More?	<a href="#">Request Quote</a>

**!** Prices shown are exclusive of VAT/local taxes

Product Downloads

**General**

Metric Type:

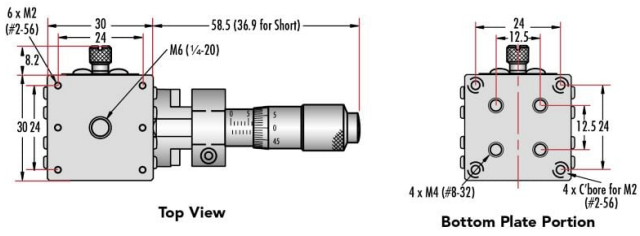
**Physical & Mechanical Properties**

Linear (X) Type of Movement:

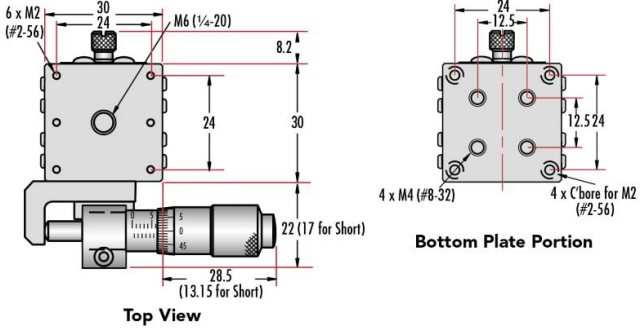
Crossed Roller Bearing Guide System:



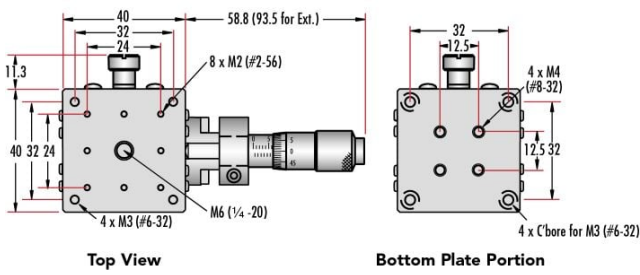
**30mm Standard-Top Stages - Center Drive**



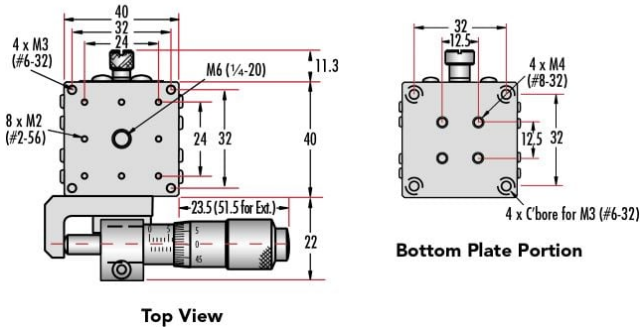
**30mm Standard-Top Stages - Side Drive**



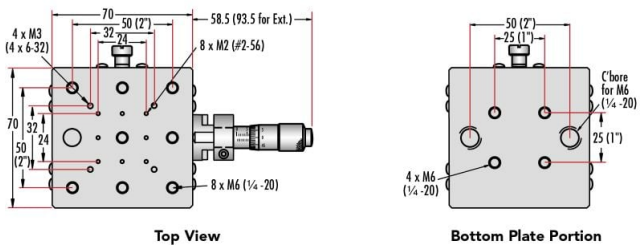
**40mm Standard-Top Stages - Center Drive**



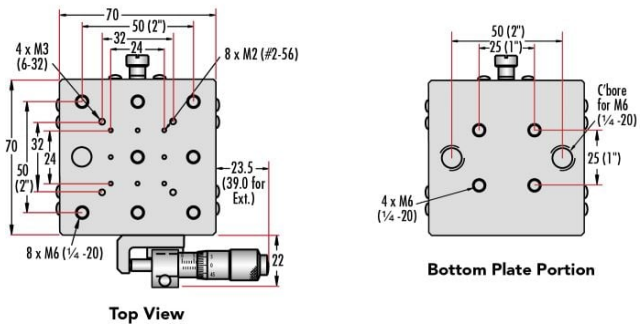
**40mm Standard-Top Stages - Side Drive**



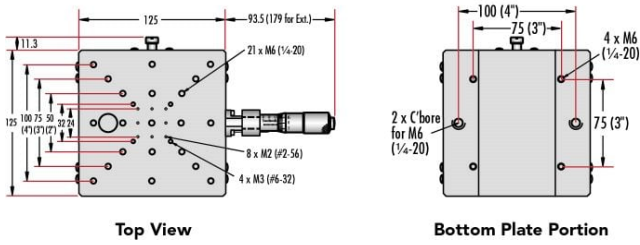
**70mm Standard-Top Stages - Center Drive**



**70mm Standard-Top Stages - Side Drive**



**125mm Standard-Top Stages - Center Drive**



**125mm Standard-Top Stages - Side Drive**

