

[See all 12 Products in Family](#)

35mm Color Corrected Schneider Compact VIS-NIR Lens



Schneider Compact VIS-NIR Lenses

Stock #56-537 **1 In Stock**

[Similar Products](#)

⊖ 1 ⊕ £1,307⁰⁰

ADD TO CART

Volume Pricing	
Qty 1+	£1,307.00 each
Need More?	Request Quote

ⓘ Prices shown are exclusive of VAT/local taxes

Product Downloads

General

Product Family:
Schneider Compact MS-NIR Lenses

Type:
Fixed Focal Length Lens

Physical & Mechanical Properties

Iris Option:
Variable

34.70	Length (mm):
31.5	Maximum Diameter (mm):
34	Outer Diameter (mm):
92	Weight (g):

Optical Properties

17.0°	Horizontal Field of View, 1/2" Sensor:
11.00	Maximum Image Circle (mm):
35.00	Focal Length FL (mm):
358 - ∞	Working Distance (mm):
f/1.9 - f/16	Aperture (f/#):
<-0.1	Distortion (%):
VIS-NIR Color Corrected	Lens Wavelength Range:

Sensor

2/3"	Maximum Sensor Format:
3.45	Pixel Size (µm):

Threading & Mounting

M30.5 x 0.50	Filter Thread:
C-Mount	Mount:

Regulatory Compliance

Compliant	RoHS 2015:
View	Certificate of Conformance:
Compliant	Reach 233:

Product Details

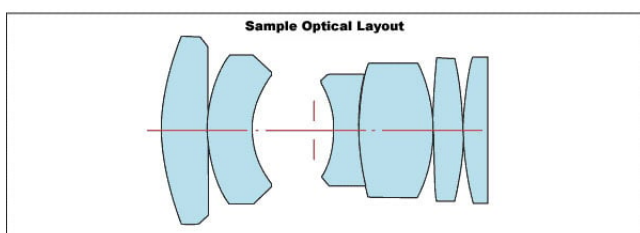
- Up to 4/3", C-Mount Lens
- Spectral Range of 400-1000nm with Color Corrected Options
- 4.8mm to 50mm Focal Length

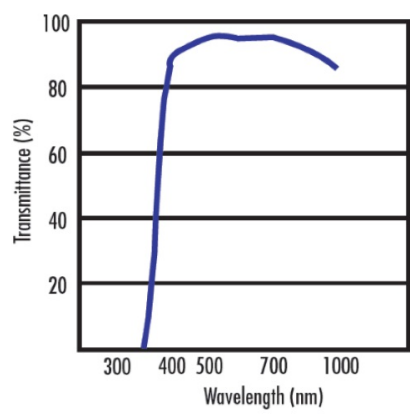
Schneider's Standard VIS-NIR lenses can accommodate up to a 4/3" sensor (22mm image circle) but will need to be refocused when switching between VIS and NIR wavelengths.

This series of lenses features a robust mechanical design, lockable focus, lockable iris, and filter mount threads, making them ideal for typical industrial settings. The optical design is an excellent match for high pixel depth cameras. Their excellent optical performance over the entire working distance range corresponds perfectly to the capabilities of high resolution sensors.

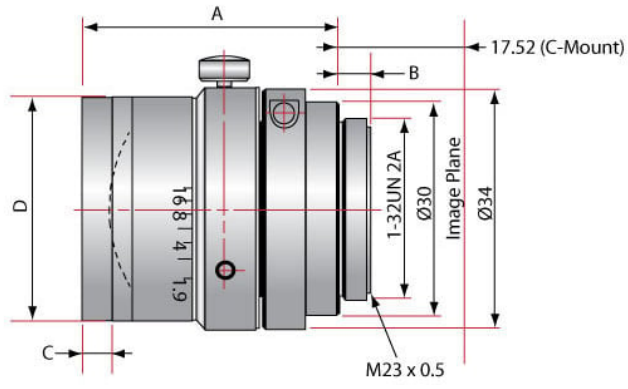
Note: Lenses with M62 x 0.75 filter thread require [#59-825](#) filter thread adapter.

Technical Information





Typical Transmission



Stock No.	A	B	C	D
#59-819	41.0mm	6.3mm	2.8mm	37.3mm
#64-764	40.9mm	3.75mm	2.5mm	31.5mm
#56-533	32.4mm	5.1mm	0.9mm	31.5mm
#56-534	42.7mm	5.8mm	1.2mm	31.5mm
#56-535	33.4mm	4.3mm	12.4mm	31.5mm
#56-536	36.9mm	3.8mm	8.2mm	31.5mm
#56-537	34.7mm	3.8mm	2.6mm	31.5mm
#59-820	74.0mm	3.8mm	4.3mm	42mm

Stock No.	A	B	C	D
#59-821	46.1mm	4.1mm	0.3mm	37.3mm
#59-822	40.9mm	3.8mm	2.5mm	31.5mm
#59-823	34.7mm	3.8mm	2.6mm	31.5mm
#59-824	36.9mm	3.8mm	8.2mm	31.5mm