

**TECHSPEC® 30mm, Center Drive, Standard Top, 0.5" Travel, Metric Micrometer**



Stock #66-391 **20+ In Stock**

- 1 + £350<sup>40</sup>

**ADD TO CART**

Volume Pricing	
Qty 1-2	£350.40 each
Qty 3+	£305.60 each
Need More?	<a href="#">Request Quote</a>

**!** Prices shown are exclusive of VAT/local taxes

Product Downloads

**General**

Metric Type:

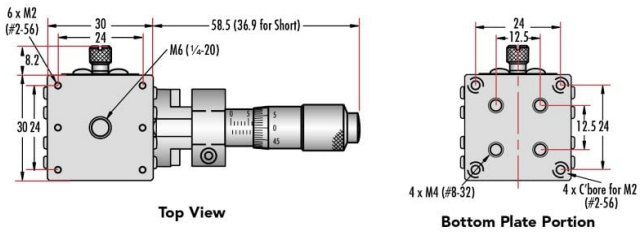
**Physical & Mechanical Properties**

Linear (X) Type of Movement:

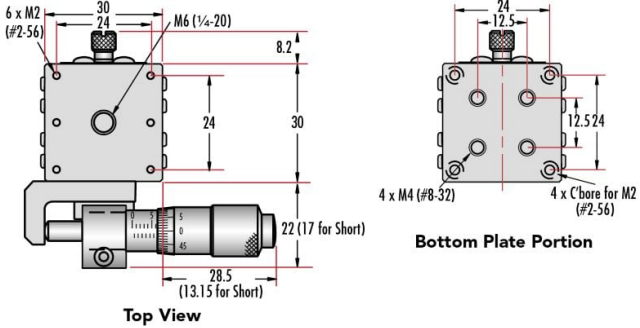
Crossed Roller Bearing Guide System:



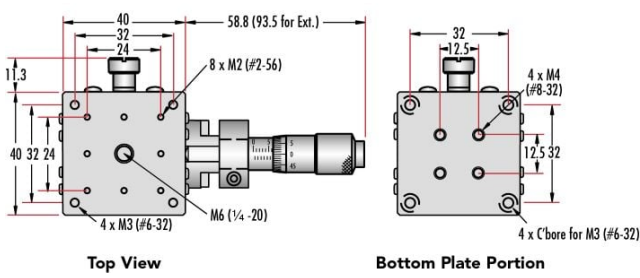
**30mm Standard-Top Stages - Center Drive**



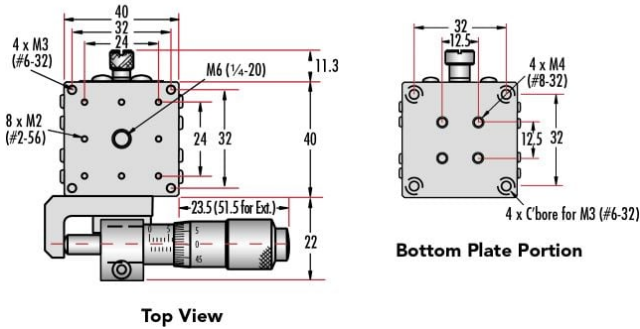
**30mm Standard-Top Stages - Side Drive**



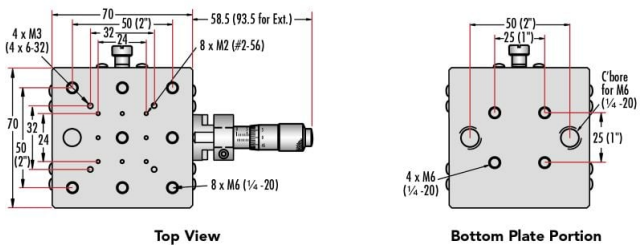
**40mm Standard-Top Stages - Center Drive**



**40mm Standard-Top Stages - Side Drive**



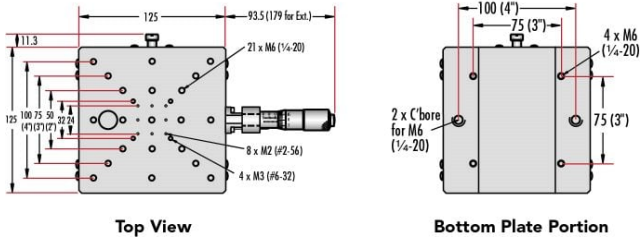
**70mm Standard-Top Stages - Center Drive**



**70mm Standard-Top Stages - Side Drive**



**125mm Standard-Top Stages - Center Drive**



**125mm Standard-Top Stages - Side Drive**

