

18mm Maximum Aperture, Mounted Stainless Steel Iris Diaphragm



Stock #23-271 **3 In Stock**

⊖ 1 ⊕ £91²⁰

ADD TO CART

| Volume Pricing | |
|----------------|-------------------------------|
| Qty 1-4 | £91.20 each |
| Qty 5-9 | £80.32 each |
| Qty 10-25 | £74.00 each |
| Need More? | Request Quote |

ⓘ Prices shown are exclusive of VAT/local taxes

Product Downloads

General

Mounted **Type:**

Physical & Mechanical Properties

18.0 **Maximum Aperture (mm):**

52.0 **Outer Diameter (mm):**

Construction:
Blackened Brass Housing, Stainless Steel Leaves

Inner Diameter (mm):
28.0

Lever Diameter (mm):
3.00

Lever Length (mm):
13.30

Number of Leaves:
12.00

Thickness (mm):
5.00

Optical Properties

Minimum Aperture (mm):
1.2

Threading & Mounting

Mounting Threads:
8-32

Set Screw Thread:
4-40

Regulatory Compliance

RoHS 2015:
[Exempt](#)

Certificate of Conformance:
[View](#)

Reach 235:
[Contains SVHC\(s\)](#)

Product Details

- Stainless Steel and Brass Construction for Stability
- Mounted Version Features both an English and Metric Tapped Hole for Easy Post Mounting
- Ideal for Flow Control Applications

Stainless Steel Series Iris Diaphragms are designed with stainless steel lever pins and leaves within a blackened brass housing. These diaphragms offer exceptionally smooth operation over the approximately 90° lever travel, from maximum to minimum aperture. Mounted versions of these diaphragms feature both a Metric and English tapped hole for easy post mounting. These diaphragms are offered with maximum apertures of 8 – 75mm, and with outer diameters ranging from 14.8 to 100mm. Stainless Steel Series Iris Diaphragms are ideal for dynamic control of beam width and light throughput in optical systems where environmental factors are a concern.

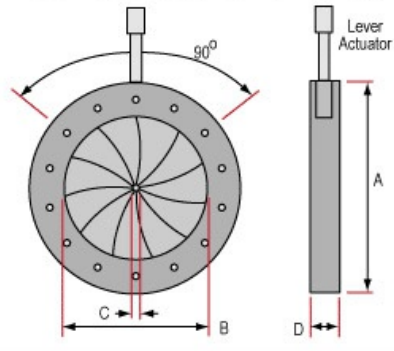
For specific OEM application assistance, please contact our [Applications Engineering Department](#).

Note: [Iris Diaphragm Mounts](#) sold separately.

Technical Information

| Outside Diameter A | Maximum Aperture B | Minimum Aperture C | Thickness D | Stock No. | |
|--------------------|--------------------|--------------------|-------------|-------------------------|-------------------------|
| | | | | Unmounted | Mounted |
| 14.8 | 8.0 | 0.8 | 4.5 | #62-650 | — |
| 19.8 | 12.0 | 0.9 | 5.0 | #53-910 | #62-657 |
| 24.0 | 15.0 | 0.9 | 5.0 | #64-501 | — |
| 28.0 | 18.0 | 0.9 | 5.0 | #62-651 | — |
| 30.0 | 20.0 | 0.9 | 5.5 | #64-502 | — |
| 33.0 | 22.0 | 0.9 | 5.5 | #64-503 | — |
| 37.0 | 25.0 | 0.9 | 5.5 | #53-911 | #62-658 |
| 40.0 | 28.0 | 1.3 | 5.5 | #64-504 | — |
| 50.0 | 36.0 | 1.6 | 6.0 | #64-505 | — |
| 53.0 | 37.0 | 1.6 | 6.0 | #53-912 | #62-659 |
| 70.0 | 50.0 | 2.8 | 7.5 | #53-913 | #62-660 |
| 100.0 | 75.0 | 5.5 | 9.0 | #62-652 | — |

Zero Aperture Series Iris Diaphragms



Units: mm