

[See all 49 Products in Family](#)

**TECHSPEC® 25mm f/8, UCi Series Fixed Focal Length Lens**



25mm UCi Series Fixed Focal Length Lens



Stock #33-894 **20+ In Stock**

⊖ 1 ⊕ £188.<sup>00</sup>

**ADD TO CART**

Volume Pricing	
Qty 1+	£188.00 each
Need More?	<a href="#">Request Quote</a>

**!** Prices shown are exclusive of VAT/local taxes

Product Downloads

**General**

UCi Series **Product Family:**

Fixed Focal Length Lens **Type:**

No **IR Cut Filter:**

## Physical & Mechanical Properties

Fixed	<b>Iris Option:</b>
31.50	<b>Length (mm):</b>
26.5	<b>Maximum Diameter (mm):</b>
26.5	<b>Outer Diameter (mm):</b>
38	<b>Weight (g):</b>
2.54	<b>Maximum Rear Protrusion (mm):</b>

## Optical Properties

**Horizontal Field of View @ Max Sensor Format:**  
60.8mm - 16.4°

**Field of View at Max Sensor Format:**  
Horizontal: 59.6mm - 16.4°  
Vertical: 44.6mm - 12.3°  
Diagonal: 74.7mm - 20.4°

**Horizontal Field of View, 1/1.8" Sensor:**  
60.8mm - 16.4°

**Horizontal Field of View, 1/2" Sensor:**  
54.0mm - 14.6°

**Horizontal Field of View, 1/2.5" Sensor:**  
48.9mm - 13.2°

**Horizontal Field of View, 1/3" Sensor:**  
40.4mm - 11.0°

**Horizontal Field of View, 1/4" Sensor:**  
30.3mm - 8.2°

**Maximum Image Circle (mm):**  
9.00

**Numerical Aperture NA, Object Side:**  
0.0072

**Number of Elements (Groups):**  
7 (5)

**Focal Length FL (mm):**  
25.00

**Working Distance (mm):**  
200 - ∞

**Aperture (f/#):**  
f/8.0

**Coating:**  
M4 MgF<sub>2</sub>

**Coating Specification:**  
M4 MgF<sub>2</sub>

**Entrance Pupil Position (mm):**  
15.05

**Object Space Principal Plane (mm):**  
29.11

**Image Space Principal Plane (mm):**  
-12.34

**Maximum Distortion (%):**  
-0.15

**Exit Pupil Position (mm):**  
-44.48

**Lens Wavelength Range:**  
VIS

## Sensor

**Optimized Sensor Format:**  
1/2.5"

**Maximum Sensor Format:**  
1/1.8"

**Pixel Size (μm):**  
1.85

## Threading & Mounting

**Filter Thread:**  
N/A

**Mount:**  
C-Mount

## Environmental & Durability Factors

Storage Temperature (°C):

-20 to +60

Type of Ruggedization:

Industrial (Fixed Aperture with Simplified Mechanics)

## Regulatory Compliance

Certificate of Conformance:

[View](#)

## Product Details

- Up to 1/1.8", C-Mount, S-Mount Lens
- Up to 12 MegaPixels, 1.85µm Pixel Size Sensors
- Instrumentation (UCi) versions of our UC Series Lenses with Streamlined Mechanical Designs and Fixed Apertures
- 4mm to 35mm Focal Length

TECHSPEC® UCi Series Fixed Focal Length Lenses utilize the same optics as the TECHSPEC UC Series Lenses and feature 4K resolution. These lenses are designed for small pixels  $\leq 2.2\mu\text{m}$  and offer a wide range of fixed apertures for a variety of applications. While optimized for 1/2.5" sensors, many focal length options can be used on sensors up to 1/1.8". TECHSPEC® UCi Series Fixed Focal Length Lenses are ideal for OEM applications that require small, robust, and lightweight imaging solutions.

**Note:** For adjustable aperture options, see our [TECHSPEC® UC Series Fixed Focal Length Lenses](#).

Edmund Optics has created a family of high-performance ultra-compact optical designs (the UC Series family) and developed 3 customized optomechanical solutions targeted for specific applications. These lens sub-families utilize the same optics as the UC Series lenses providing the same optical performance in a variety of optomechanical solutions to meet your application requirements:

**UC Series:** Features locking cam focus and iris adjustment in an ultra-compact design and is the most adjustable version of these optical designs; they are the typical high-quality machine vision lenses.

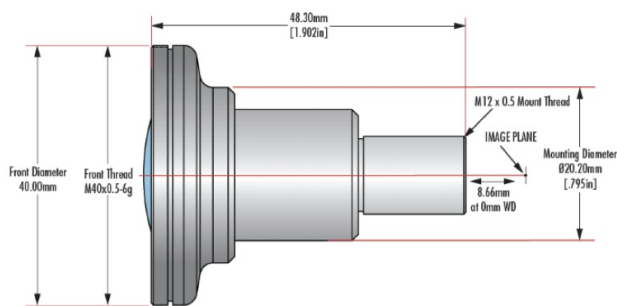
**UCi Series:** Simplified mechanics featuring fixed apertures with compact housing. [Industrial Ruggedization](#) for reduced size, cost, and locked focus.

**UCr Series:** All optics glued in place and a locking C-clamp focus ring. [Stabilized Ruggedization](#) for reduced pixel shift and improved focus stability.

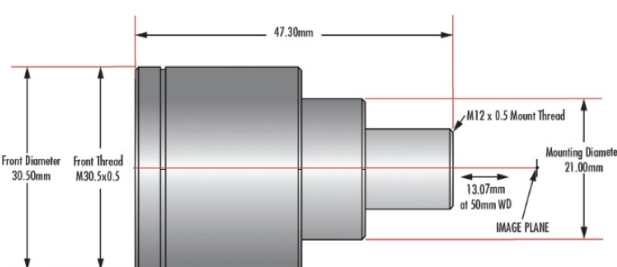
**UCw Series:** Waterproof, designed to meet IEC [Ingress Protection](#) Code IPX7 to withstand exposure to water up to 1 meter depth for 30 minutes.

## Technical Information

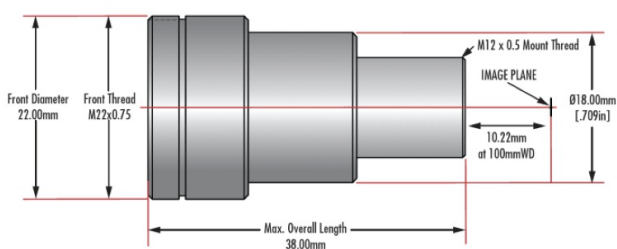
4mm Focal Length



6mm Focal Length



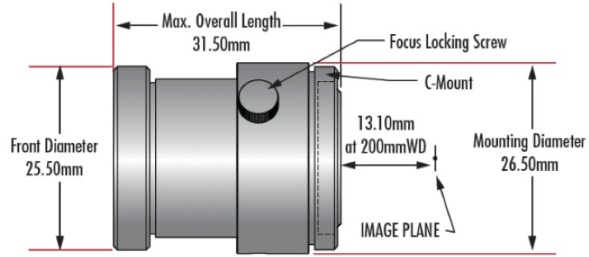
12mm Focal Length



### 16mm Focal Length



### 25mm Focal Length



### 35mm Focal Length



## Compatible Cameras