

TECHSPEC® 25mm Dia. x 30mm FL, VIS Coated, Hybrid Asphere



TECHSPEC® Plastic Hybrid Aspheric Lenses

Stock **#66-003** CLEARANCE **20+ In Stock**

[Other Coating Options](#)

⊖ 1 ⊕ £55⁰⁰

ADD TO CART

| Volume Pricing | |
|----------------|-------------------------------|
| Qty 1+ | £55.96 each |
| Need More? | Request Quote |

ⓘ Prices shown are exclusive of VAT/local taxes

Product Downloads

General

Aspheric Lens **Type:**

Physical & Mechanical Properties

25.00 +0.00/-0.10 **Diameter (mm):**

23.00 **Clear Aperture CA (mm):**

| | |
|-------------------------------------|--|
| 3.6 | Edge Thickness ET (mm): |
| 7.30 ±0.10 | Center Thickness CT (mm): |
| Protective as needed | Bevel: |
| Convex | Shape of Back Surface: |
| Optical Properties | |
| 30.00 @ 587.6nm | Effective Focal Length EFL (mm): |
| 0.42 | Numerical Aperture NA: |
| 25.82 | Back Focal Length BFL (mm): |
| Zeonex E48R | Substrate: <input type="checkbox"/> |
| 587.6 | Aspheric Design Wavelength (nm): |
| BBAR (425-675nm) | Coating: |
| $R_{avg} \leq 0.75\%$ @ 425 - 675nm | Coating Specification: |
| 60-40 | Surface Quality: |
| 1.2 | f#: |
| 51.79 | Abbe Number (v_d): |
| 1.531 | Index of Refraction (n_d): |
| 120 | Radius R_2 (mm): |
| 425 - 675 | Wavelength Range (nm): |
| Infinite | Conjugate Distance: |
| 587.60 | Focal Length Specification Wavelength (nm): |

| | |
|---|------------------------------------|
| Environmental & Durability Factors | |
| -30 to +70 | Operating Temperature (°C): |

| | |
|------------------------------|------------------------------------|
| Regulatory Compliance | |
| Compliant | RoHS 2015: |
| Compliant | Reach 209: |
| View | Certificate of Conformance: |

Product Details

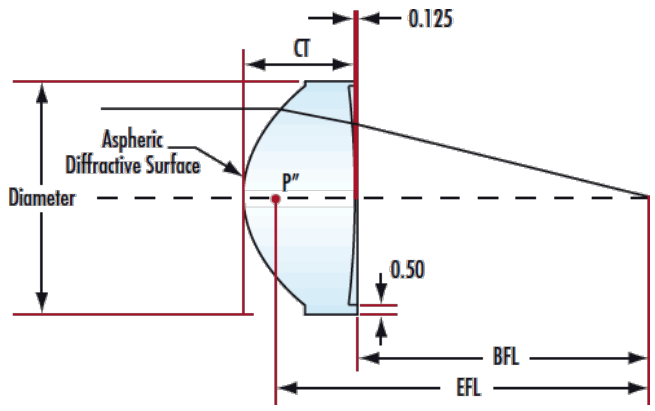
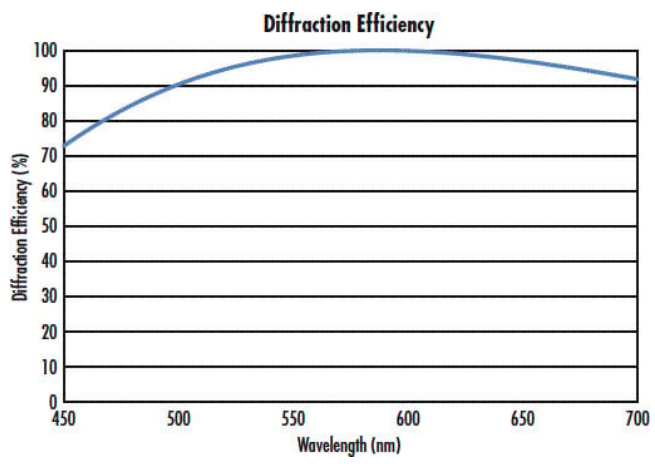
- Color-Corrected Plastic Aspheres
- Diffractive Surface Minimizes Chromatic Aberration
- Low-Cost, Molded Design

TECHSPEC® Plastic Hybrid Aspheric Lenses are molded aspheric lenses with diffraction-limited designs that eliminate chromatic aberrations caused by broadband light sources. These hybrid aspheric lenses are ideal for imaging or ophthalmic applications, or for use with tunable lasers or broadband or multispectral illumination sources. The [aspheric lens](#) eliminates spherical aberration, while the diffractive surface features a negative optical dispersion to yield excellent color correction.

TECHSPEC Plastic Hybrid Aspheric Lenses are similar in performance, but offer several advantages to our [TECHSPEC Aspherized Achromatic Lenses](#). Hybrid aspheric lenses feature all-plastic, monolithic designs that are much lighter than comparable aspherized achromatic lenses. These optical lenses are also available in higher numerical apertures. However, plastic hybrid aspheric lenses are limited by the inherent diffraction efficiency of the aspheric surface, yielding lower overall transmission than comparable aspherized achromatic lenses.

These lenses won the 2011 Prism Award for Optics and Optical Components.

Technical Information



Compatible Mounts