

TECHSPEC® 1.5" Length, 1/4-20 Thread, Post Holder



Stock #58-977 **20+ In Stock**

1 **£11^{.80}**

ADD TO CART

Volume Pricing	
Qty 1-9	£11.80 each
Qty 10+	£11.28 each
Need More?	Request Quote

Prices shown are exclusive of VAT/local taxes

Product Downloads	
STEP:step	PDF Drawing:pdf
IGES:igs	eDrawing:eprt
EO Spec Sheet	Download All

General

Type: English

Physical & Mechanical Properties

Length (inches): 1.5

Optical Properties

Substrate: Aluminum with Brass Inserts

Threading & Mounting

Mounting Threads: 1/4-20

Regulatory Compliance

RoHS 2015: **Compliant**

Reach 224: **Compliant**

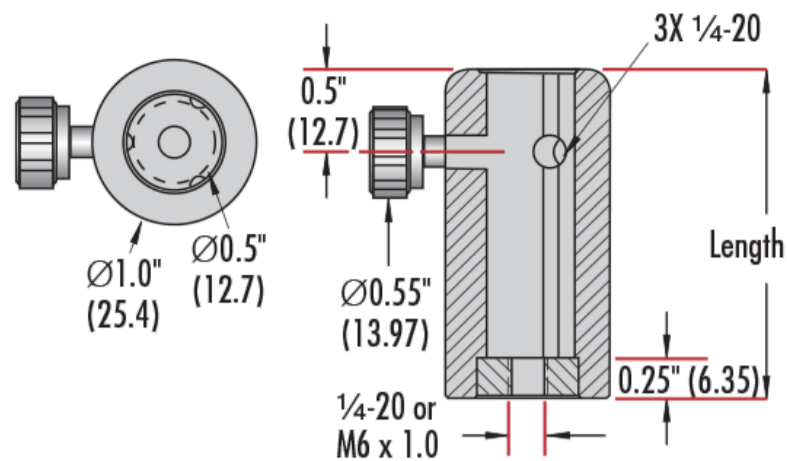
Certificate of Conformance: [View](#)

Product Details

- English & Metric Post Holders
- English: 1/4-20 Base
- Metric: M6x1 Base
- Unique 3-Point Contact Design
- Aluminum with Brass Inserts

Post Holders have a unique 3-point contact design that inherently centers our [Stainless Steel Optical Mounting Posts](#) more accurately. The three contact pads run the entire inside length of each holder, thus ensuring a more accurate fit with our Posts. Additionally, three tapped holes allow thumbscrew orientation without removing the Post Holder from the breadboard table, base plate, or other fixture. Post hole depth is Post Holder length less 0.25" (6.35mm). Thread values are laser engraved on each Post Holder for quick integration. Locking thumbscrew included.

Technical Information



Description	Qty	Stock No.
Post Holder, 1" Length	1	#58-976
Post Holder, 1.5" Length	1	#58-977
Post Holder, 2" Length	2	#58-978
Post Holder, 3" Length	2	#58-979
Post Holder, 4" Length	1	#58-980
Post Holder, 6" Length	1	#58-981

Description	Qty	Stock No.
Post Holder, 25.4mm Length	1	#58-970
Post Holder, 38.1mm Length	1	#58-971
Post Holder, 50.8mm Length	2	#58-972
Post Holder, 76.2mm Length	2	#58-973
Post Holder, 101.6mm Length	1	#58-974
Post Holder, 152.4mm Length	1	#58-975

Accessories

Note: Compatible accessories for individual stock numbers may vary. If unsure about which accessories work with your products, please contact us [here](#).

	Title	Compare	Stock Number	Price	Buy
MORE+	Metric Post Holder Kit		#68-234 CLEARANCE	£59.96 Request Quote	1 In Stock <input type="text" value="1"/>

Related Products



Post Collar



Adjustable Height Post Holders



Stainless Steel Optical Mounting Posts

Frequently Purchased Together



#01-307 - 25,400 Lines/Inch, 2" Square Card, 15/Pack, Holographic Diffraction Grating Film

£22.80

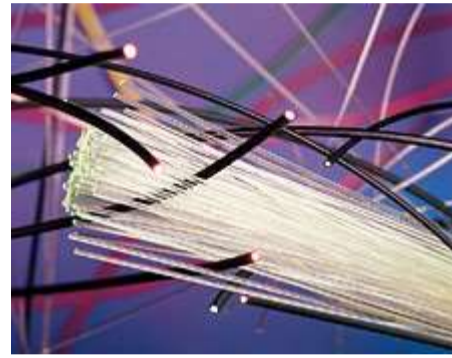
Qty



#02-147 - 203 x 254mm Sandblasted Glass

£46.40

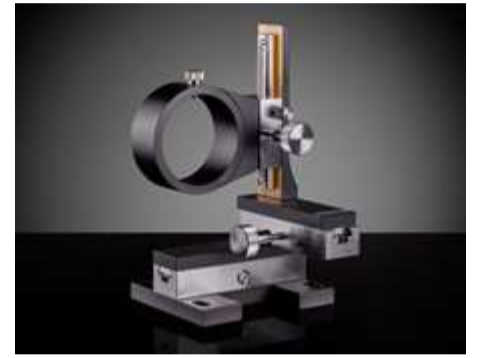
Qty



#02-536 - 1000µm with 1 Fiber, Optical Grade Plastic Light Guide

£3.20

Qty



#03-607 - 50mm Diameter, X-Y-Z Positioning Movement

£780.00

Qty



Resources

Media Type

- FAQ
- Glossary
- Application Note
- Trending in Optics
- Video

? FAQ

Do you have any components that would...

? FAQ

Do your iris diaphragms have mounts for...

GLOSSARY

Axial Runout

GLOSSARY

Concentricity

GLOSSARY

Inverted Load Capacity

GLOSSARY

Tangent Arm Drive

View More

