

12V DC Power Supply for Lumentum Standard HeNe Lasers, EU



Low-Noise Lumentum Helium-Neon Laser with self-contained power supply

Stock **#35-224** CLEARANCE CONTACT US

⊖ 1 ⊕ £57.⁰⁰

ADD TO CART

Volume Pricing

Qty 1+	£57.00 each
Need More?	Request Quote

ⓘ Prices shown are exclusive of VAT/local taxes

Product Downloads



Regulatory Compliance

Certificate of Conformance:

[View](#)

Product Details

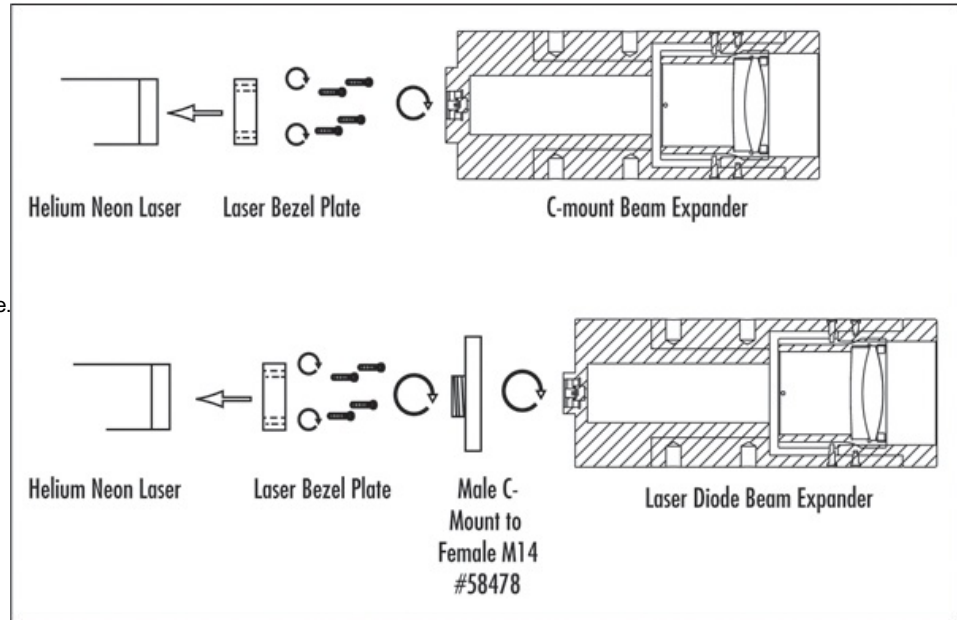
- Low Noise
- Self-Contained Power Supply

- **Small Size**

Lumentum Helium-Neon (HeNe) Lasers feature hard-sealed internal mirrors and small physical sizes. Due to low noise, the lasers offer increased laser reliability, greater design flexibility, and enhanced performance. The base of the laser is slotted for lab table mounting. These Lumentum HeNe Lasers also feature self-contained power supplies for simple system integration. Typical applications include alignment, metrology, and inspection.

Note: Lumentum was previously known as JDSU. These HeNe lasers comply with 21CFR1040 and IEC 825-1:1993.

Technical Information



Beam Expander Mounting Configurations Click on an item below to be brought to that item's product page.