

[See all 34 Products in Family](#)

**TECHSPEC® 1:2.14 with 14mm and 30mm EFL Achromats, 15mm Achromatic Pair**



TECHSPEC Mounted Achromatic Lens Pairs

Stock **#43-995** **2 In Stock**

⊖ 1 ⊕ £167<sup>20</sup>

**ADD TO CART**

Volume Pricing

Qty 1-5	£167.20 each
Qty 6-25	£133.60 each
Qty 26-49	£128.80 each
Need More?	<a href="#">Request Quote</a>

**!** Prices shown are exclusive of VAT/local taxes

Product Downloads

**General**

Relay Lens **Type:**

**Physical & Mechanical Properties**

9.5 **Clear Aperture CA (mm):**

**Center Air Spacing (mm):**

1.48	
15 +0.0/-0.10	Housing Diameter (mm):
21 ±0.2	Housing Length (mm):
4	Lens Edge Spacing at Mount (mm):
22.06	Image Distance (mm):
Construction: Achromat Pair in Anodized Aluminum Housing	

## Optical Properties

<a href="#">N-BAF10 / N-SF5 / N-SSK8 / N-SF10</a>	Substrate: □
40-20	Surface Quality:
f/2.88	Working f#:
MgF <sub>2</sub> (400-700nm)	Coating:
Coating Specification: R <sub>avg</sub> ≤ 1.75% @ 400 - 700nm	
14.00	Effective Focal Length EFL A (mm):
30.00	Effective Focal Length EFL B (mm):
1:2.14	Magnification:
7.11	Object Distance (mm):
400 - 700	Wavelength Range (nm):

## Regulatory Compliance

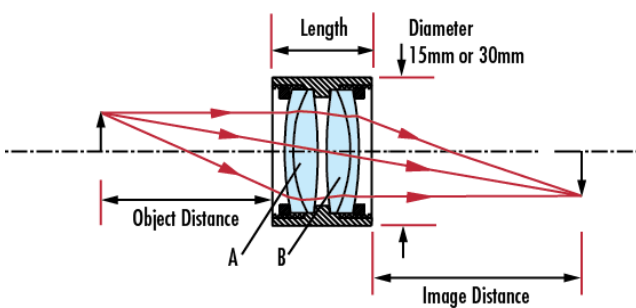
<a href="#">Compliant</a>	RoHS 2015:
<a href="#">Compliant</a>	Reach 209:
<a href="#">View</a>	Certificate of Conformance:

## Product Details

- 15mm and 30mm Diameter Options
- AR Coated Lenses
- Mounted Achromatic Pairs Kits Available

TECHSPEC® Mounted Achromatic Lens Pairs combine popular TECHSPEC® Achromats into common configurations used for relay and projection applications. Packaged in slim-line aluminum housing, each pair is ready for integration into a host of OEM applications, eliminating the need to handle loose optics. 15.0mm pairs can be coupled into C-mount components using [Helicoid Barrel Accessory](#). TECHSPEC Mounted Achromatic Lens Pairs have also been oriented for optimum system performance. All lenses, 15.0mm and 30.0mm, are AR coated. Lower f# pairs may not be ideal for imaging applications depending on the performance requirements. Cylinder lenses can be incorporated into empty barrels in order to generate lines or sheets of light.

## Technical Information



## Coating Curves