

## 120mm x 120mm Mounting Stage Size, Metric Z-Axis Stage



Stock #62-299 **6 In Stock**

- 1 + £956.<sup>00</sup>

**ADD TO CART**

### Volume Pricing

Qty 1-4	£956.00 each
Qty 5+	£845.20 each
Need More?	<a href="#">Request Quote</a>

Prices shown are exclusive of VAT/local taxes

### Product Downloads

### General

Metric **Type:**

### Physical & Mechanical Properties

Linear (Z) **Type of Movement:**

Crossed Roller Bearing **Guide System:**

120 x 120	<b>Stage Size (mm):</b>
M16 x 1	<b>Center Hole:</b>
Aluminium Stage	<b>Construction:</b>
±10	<b>Height Adjustment (mm):</b>
7	<b>Load Capacity (kg):</b>
(4) 4.5mm Diameters on 100mm Sq.	<b>S.H.C.S. C'bore:</b>
3	<b>Straight Line Accuracy (µm):</b>
0.5	<b>Travel Per Knob Rotation (mm):</b>
1.42	<b>Weight (kg):</b>

## Hardware & Interface Connectivity

Metric Micrometer	<b>Type of Drive:</b>
-------------------	-----------------------

## Threading & Mounting

(1) M16 x 1, (12) M4 x 0.7	<b>Mounting Threads:</b>
----------------------------	--------------------------

## Regulatory Compliance

<a href="#">Exempt</a>	<b>RoHS 2015:</b>
<a href="#">View</a>	<b>Certificate of Conformance:</b>
<a href="#">Contains SVHC(s)</a>	<b>Reach 247:</b>

## Product Details

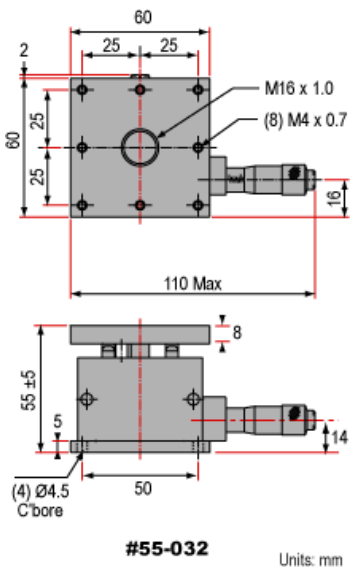
- Fine Micrometer Movement
- Available in Four Sizes
- Black Anodized Aluminum
- Locking Knob

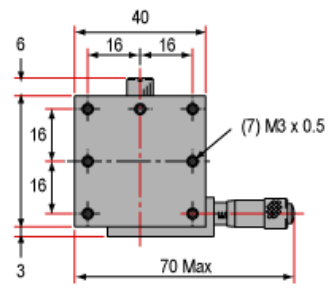
Metric Z-Axis Stages provides micrometer movement for optical components. One rotation of the knob equals 0.5mm. Height adjustment is ±2.5mm for 25mm and 40mm stages and ±5.0mm for 60mm and 80mm stages. Metric Z-Axis Stages are available are constructed of black anodized aluminum and feature a locking knob. The stages are available in four sizes.

40mm square, 8mm thick top mounting adapter plate [#58-290](#) mounts to M3 holes and provides a counterbore for 1/4-20 or M6 socket head cap screw. Compatible with the following stages: [#55-029](#), [#55-030](#), [#55-031](#), [#55-838](#), and [#55-839](#).

60mm square Z-Axis Stage ([#55-032](#)) and 80mm square Z-Axis Stage ([#56-335](#)) are compatible with the following stages: [#54-687](#), [#55-459](#), [#55-840](#), [#55-841](#), and [#56-335](#).

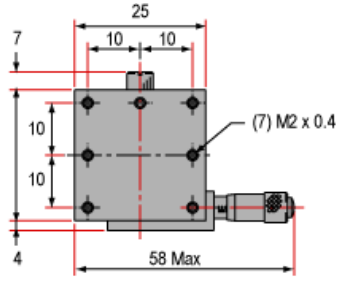
## Technical Information





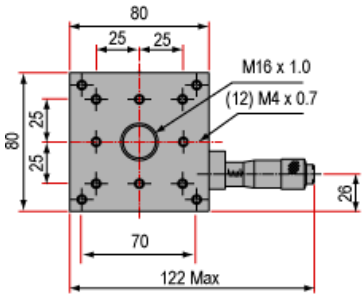
#55-031

Units: mm



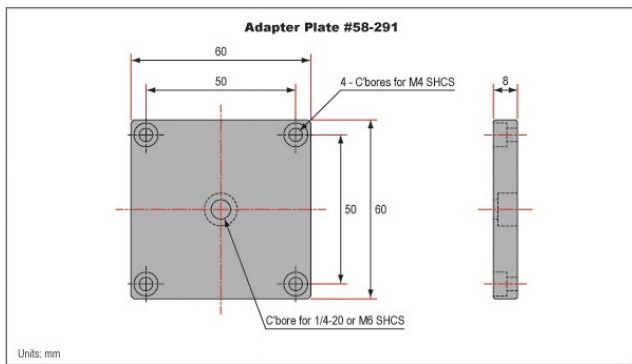
#56-334

Units: mm



#56-335

Units: mm



Units: mm