

[See all 34 Products in Family](#)

**TECHSPEC® 1:1.25 with 60mm and 75mm EFL Achromats, 30mm Achromatic Pair**



TECHSPEC Mounted Achromatic Lens Pairs

Stock **#55-279** **1 In Stock**

⊖ 1 ⊕ £211<sup>20</sup>

**ADD TO CART**

Volume Pricing	
Qty 1-5	£211.20 each
Qty 6-25	£168.80 each
Qty 26-49	£164.00 each
Need More?	<a href="#">Request Quote</a>

**!** Prices shown are exclusive of VAT/local taxes

Product Downloads

**General**

Relay Lens **Type:**

**Physical & Mechanical Properties**

22.0 **Clear Aperture CA (mm):**

**Center Air Spacing (mm):**

4.08

Housing Diameter (mm):  
30 +0.0/-0.10

Housing Length (mm):  
34 ±0.2

Lens Edge Spacing at Mount (mm):  
8

Image Distance (mm):  
65.18

Construction:  
Achromat Pair in Anodized Aluminum Housing

### Optical Properties

Substrate:   
[N-SSK8](#) / [N-SF10](#) / [N-BK7](#) / [N-SF5](#)

Surface Quality:  
40-20

Working f#:  
f/3.41

Coating:  
MgF<sub>2</sub> (400-700nm)

Coating Specification:  
R<sub>avg</sub> ≤ 1.75% @ 400 - 700nm

Effective Focal Length EFL A (mm):  
60.00

Effective Focal Length EFL B (mm):  
75.00

Magnification:  
1:1.25

Object Distance (mm):  
48.12

Wavelength Range (nm):  
400 - 700

### Regulatory Compliance

RoHS 2015:  
[Compliant](#)

Reach 209:  
[Compliant](#)

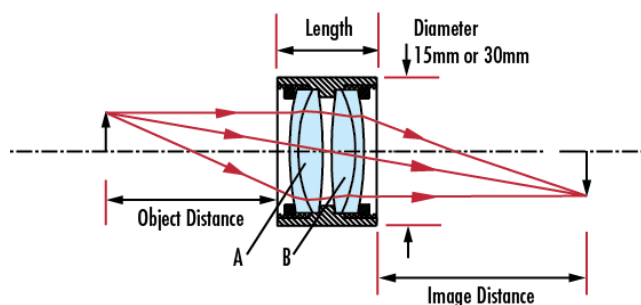
Certificate of Conformance:  
[View](#)

## Product Details

- 15mm and 30mm Diameter Options
- AR Coated Lenses
- Mounted Achromatic Pairs Kits Available

TECHSPEC® Mounted Achromatic Lens Pairs combine popular TECHSPEC® Achromats into common configurations used for relay and projection applications. Packaged in slim-line aluminum housing, each pair is ready for integration into a host of OEM applications, eliminating the need to handle loose optics. 15.0mm pairs can be coupled into C-mount components using [Helicoid Barrel Accessory](#). TECHSPEC Mounted Achromatic Lens Pairs have also been oriented for optimum system performance. All lenses, 15.0mm and 30.0mm, are AR coated. Lower f# pairs may not be ideal for imaging applications depending on the performance requirements. Cylinder lenses can be incorporated into empty barrels in order to generate lines or sheets of light.

## Technical Information



## Coating Curves