

## 10X Objective, Nikon CFI Super Fluor

See More by [Nikon](#)



Stock #88-375 **1 In Stock**

1 £4,096<sup>00</sup>

**ADD TO CART**

Volume Pricing	
Qty 1+	£4,096.00 each
Need More?	<a href="#">Request Quote</a>

Prices shown are exclusive of VAT/local taxes

### Product Downloads

### General

Model Number:  
MRF00101

Compatible Tube Lens Focal Length (mm):  
Focal Length: 200mm

Type:  
Microscope Objective

Style:  
Infinity Corrected

Manufacturer:  
Nikon

### Physical & Mechanical Properties

Field of View (mm):

2.20

Length (mm):

58.70

Length excluding Threads (mm):

58.70

Maximum Diameter (mm):

32

Weight (g):

168.00

### Optical Properties

Compatible Cover Glass Thickness (mm):

0.17

Horizontal Field of View, 1/2" Sensor:

0.64mm

Horizontal Field of View, 2/3" Sensor:

0.88mm

Magnification:

10X

Numerical Aperture NA:

0.50

Working Distance (mm):

1.2

Field Number (mm):

22

Parfocal Length (mm):

59.9

Immersion Liquid:

N/A

### Sensor

Maximum Sensor Format:

2/3"

### Threading & Mounting

Mounting Threads:

M25 x 0.75

### Regulatory Compliance

RoHS 2015:

[Compliant](#)

Certificate of Conformance:

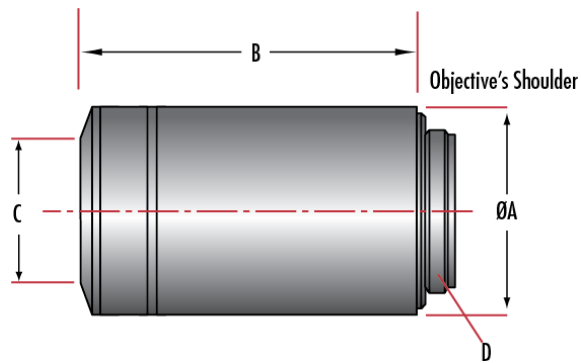
[View](#)

## Product Details

- Superior UV Transmission
- High Numerical Aperture Designs
- Feature Low Auto-Fluorescence Materials

Nikon CFI Super Fluor Objectives are designed to provide superior transmission to ultraviolet applications operating down to 340nm, including for use with fluorochromes indo-1, fura-2, and fluo-3, or for photo-activation of caged compounds. Nikon CFI Super Fluor Objectives are designed using low auto-fluorescence materials along with high numerical apertures to guarantee sharp, bright fluorescence images. These microscope objectives have been optimized for improved signal-to-noise ratios at short wavelengths.

## Technical Information



Dimensions (mm)						
Stock No.	Magnification	Parafocal Length	A	B	C	D
<a href="#">#88-374</a>	4X	60.06	30.0	44.4	19.7	M25 x 0
<a href="#">#88-375</a>	10X	60.06	32.0	58.7	8.0	M25 x 0
<a href="#">#88-376</a>	20X	60.06	33.5	58.9	9.0	M25 x 0
<a href="#">#88-377</a>	40X	60.06	33.0	59.6	7.5	M25 x 0