

10X DIN Achromatic Commercial Grade Objective



Stock #43-903 **20+ In Stock**

- 1 + £100.⁰⁰

ADD TO CART

Volume Pricing	
Qty 1+	£100.00 each
Need More?	Request Quote

ⓘ Prices shown are exclusive of VAT/local taxes

Product Downloads

SPECIFICATIONS

General

Achromatic **Type:**
Finite Conjugate **Style:**

Physical & Mechanical Properties

40.00	Length excluding Threads (mm):
24	Maximum Diameter (mm):
Optical Properties	
17.13	Effective Focal Length EFL (mm):
10X	Magnification:
0.25	Numerical Aperture NA:
6.14	Working Distance (mm):
46.14	Parfocal Length (mm):
N/A	Immersion Liquid:
Threading & Mounting	
0.7965-36 TPI, 55° Whitworth	Mounting Threads:
Environmental & Durability Factors	
5 to 40	Operating Temperature (°C):
-20 to 60	Storage Temperature (°C):
45% to 85%	Operating Relative Humidity:
Regulatory Compliance	
Compliant	RoHS 2015:
View	Certificate of Conformance:

PRODUCT DETAILS

- Achromatic and Plan Designs
- Use with T- and C-Mounting Systems
- Ideal for OEM Applications

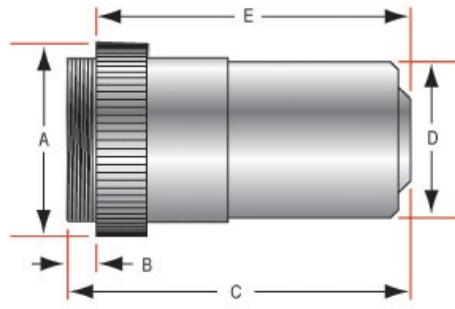
Commercial Grade Standard Microscope Objectives are designed for a wide variety of applications. These objectives are provided in both achromatic and plan designs. Using DIN standard, 0.7965" (20.1mm) dia. threads, 36 TPI, 55° Whitworth, these objectives will fit into most microscope and spatial filter assemblies. Commercial Grade Standard Microscope Objectives, used in conjunction with our [T- and C-mounting systems](#), are an ideal solution for OEM production use. These objectives are offered in 4X, 10X, 40X, and 100X magnifications.

Note: 40X and 100X versions are spring loaded. 100X version is also oil immersion type.

TECHNICAL INFORMATION

Stock No.	A	B	C	D	E
#43-902	24	3.7	31	19	26
#43-903	24	3.7	43	19	40
#43-904	24	3.7	48.8	20	45.8
#43-905	24	3.7	48.8	20	45.8
#67-706	24	3.7	34	22	30
#43-907	24	3.7	47.6	22	44
#43-908	24	3.7	49	22	46
#43-909	24	3.7	48	22	46

Commercial Grade Standard Microscope Objectives



Units: mm