

TECHSPEC® 10X Cf Objective



#88-354: 10XCf Objective

Stock **#88-354** **2 In Stock**

1 £396⁰⁰

ADD TO CART

Volume Pricing

Qty 1-2	£396.00 each
Qty 3-4	£376.00 each
Qty 5-9	£356.00 each
Need More?	Request Quote

! Prices shown are exclusive of VAT/local taxes

Product Downloads

General

Fluorite **Type:**

Finite Conjugate **Style:**

Edmund Optics® **Manufacturer:**

Note:
Magnification can be increased by adding tube length
(see table)

Physical & Mechanical Properties

13.8 **Clear Aperture CA (mm):**

82.35 **Length (mm):**

38 **Maximum Diameter (mm):**

Front 13.8 **Aperture (mm):**

115 **Weight (g):**

25.0 **Tube Length (mm):**

Optical Properties

0.88mm **Horizontal Field of View, 2/3" Sensor:**

1.41 **Horizontal Field of View, 1.1" Sensor:**

6.00 **Focal Length FL (mm):**

425 - 675nm BBAR **Coating:**

10X **Magnification:**

0.17 **Numerical Aperture NA:**

3.92 **Resolving Power (μm):**

9.31 **Depth of Field (μm):**

13.5 **Working Distance (mm):**

400 - 700 **Wavelength Range (nm):**

17.6 **Field Number (mm):**

66.85 **Parfocal Length (mm):**

N/A **Immersion Liquid:**

Sensor

1.1" **Maximum Sensor Format:**

Threading & Mounting

C-Mount **Mount:**

Environmental & Durability Factors

+10 to +40 **Operating Temperature ($^{\circ}\text{C}$):**

Regulatory Compliance

[View](#) **Certificate of Conformance:**

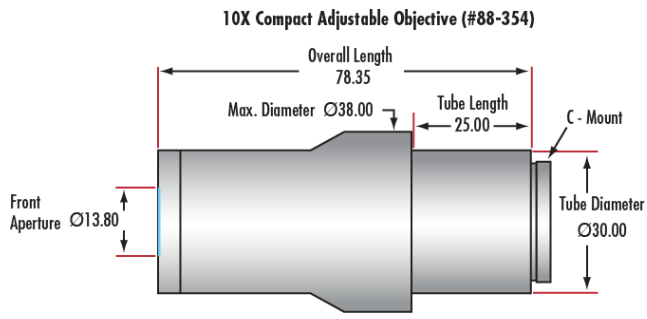
Product Details

- Lightweight Design with Compact Form Factor
- Configurable Magnification Using Spacers
- Optimized For Long Working Distances

TECHSPEC® Cf Objectives are designed to reduce the overall weight and size of an imaging system while maintaining optical performance. While traditional objective systems typically require long tube lengths and tube lenses, TECHSPEC® Cf Objectives optimize each objective to allow for shorter tube lengths. Standardized 30mm outer diameters and C-mount threading ease integration into system assemblies. Magnification can be easily increased by adding spacers to increase the tube length. Each lens has a broadband anti-reflection coating to provide even and maximized light transmission in the visible spectrum. TECHSPEC® Cf Objectives are ideal for a variety of biomedical or machine vision applications including microscopy, flow cytometry, pharmaceutical inspection, and assembly line or fault inspection. Zemax files are available [upon request](#).

Note: A variety of magnifications and numerical aperture options are available upon request to accommodate various resolution, throughput, and depth of field requirements. To ensure a lens is a proper fit for your application, additional contrast, resolution, magnification, and tube length data is available upon request. Please contact [technical support](#) to discuss your specific requirements.

Technical Information



Stock #	Tube Length Added	Magnification*
#88-352	None (Base Mag)	2X
	70mm	4X
	84mm	5X
	190mm	7.5X
#88-353	None (Base Mag)	5X
	40mm	7.5X
	78mm	10X
	155mm	15X
	230mm	20X
#88-354	None (Base Mag)	10X
	30mm	15X
	60mm	20X

*Approximate. Spacer rings may be needed to dial in magnification