

TECHSPEC® 10mm Uncoated Dove Prism



Stock #32-999 **17 In Stock**

⊖ 1 ⊕ £108⁰⁰

ADD TO CART

| Volume Pricing | |
|----------------|-------------------------------|
| Qty 1-5 | £108.00 each |
| Qty 6-25 | £86.40 each |
| Qty 26-49 | £81.00 each |
| Need More? | Request Quote |

ⓘ Prices shown are exclusive of VAT/local taxes

Product Downloads

General

Dove Prism **Type:**

Physical & Mechanical Properties

10.0 **Height (mm):**

43.56 **Length (mm):**

Dimensional Tolerance (mm):
±0.13 Legs, ±0.25 Length

Bevel:
Protective as needed

Optical Properties

Coating:
Uncoated

Substrate:
N-BK7

Surface Quality:
60-40

Angle Tolerance (arcmin):
2.00

Image Orientation:
Left-Handed

Ray Deviation (°):
0

Power (fringes) @ 632.8nm:
0.50

Irregularity (fringes) @ 632.8nm:
0.25

Regulatory Compliance

RoHS 2015:
Compliant

Reach 219:
Compliant

Certificate of Conformance:
[View](#)

Need different specs or modifications?

Edmund Optics offers comprehensive custom manufacturing services for optical and imaging components tailored to your specific application requirements. Whether in the prototyping phase or preparing for full-scale production, we provide flexible solutions to meet your needs. Our experienced engineers are here to assist—from concept to completion.

Our capabilities include:

- Custom dimensions, materials, coatings, and more
- High-precision surface quality and flatness
- Tight tolerances and complex geometries
- Scalable production—from prototype to volume

Learn more about our [custom manufacturing capabilities](#) or submit an inquiry [here](#).

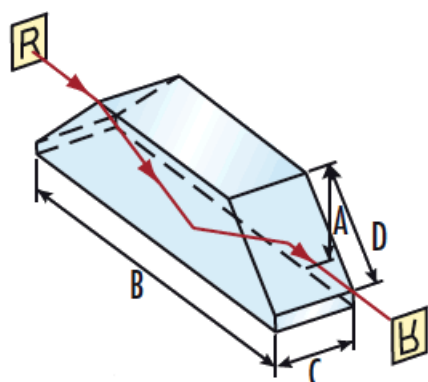
Product Details

- Image Rotation of 180°
- Left Handed Image
- Ideal for Rotation, Inversion or Displaced Retroreflection

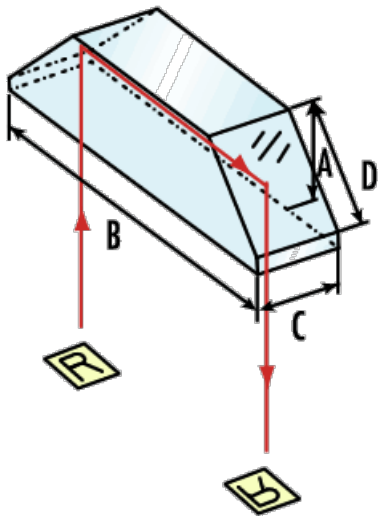
TECHSPEC® Dove Prisms have an unusual and fascinating characteristic. If you look through the prism and rotate it around a longitudinal axis, the image rotates through twice the angle through which the dove prism itself rotates. In this use, with light incident on either of the smaller diagonal surfaces, light is reflected off the bottom surface, and the image inverted, allowing both inversion of the image, as well as rotation. Dove prisms can also be used as retroreflectors, when light is incident off the longest face. For optimal performance, use dove prisms with collimated light. The top surface of each dove prism is ground, and the longest length (specified by dimension B) features an unbeveled sharp edge.

TECHSPEC® Dove Prisms are offered uncoated, with anti-reflection coated diagonal faces or with aluminized diagonal faces. Uncoated dove prisms can be used for either image rotation or retroreflection and use total internal reflection for effective image transmission. AR coated dove prisms are specifically designed for use for image rotation and inversion, with improved throughput compared to uncoated prisms. Please note, this makes them unsuitable for use as retroreflectors. Aluminized dove prisms feature a protected aluminum coating with black Krylon paint on the diagonal faces and are ideal for displaced retroreflection. They provide a U-turn for incident laser beam light.

Technical Information



ALUMINIZED



| Stock No. | A | B | C | D |
|-----------|---------|----------|---------|---------|
| #32-998 | 5.00mm | 20.64mm | 5.00mm | 7.07mm |
| #49-424 | | | | |
| #32-999 | 10.00mm | 43.56mm | 10.00mm | 14.14mm |
| #49-425 | | | | |
| #32-553 | 15.00mm | 62.50mm | 15.00mm | 21.21mm |
| #49-426 | | | | |
| #49-427 | 18.00mm | 76.10mm | 18.00mm | 25.45mm |
| #32-554 | 20.00mm | 79.80mm | 20.00mm | 28.28mm |
| #49-428 | | | | |
| #45-403 | 25.00mm | 103.18mm | 25.00mm | 35.36mm |

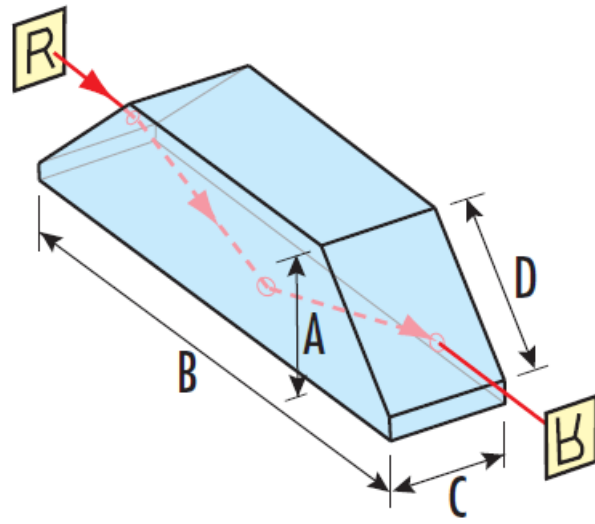
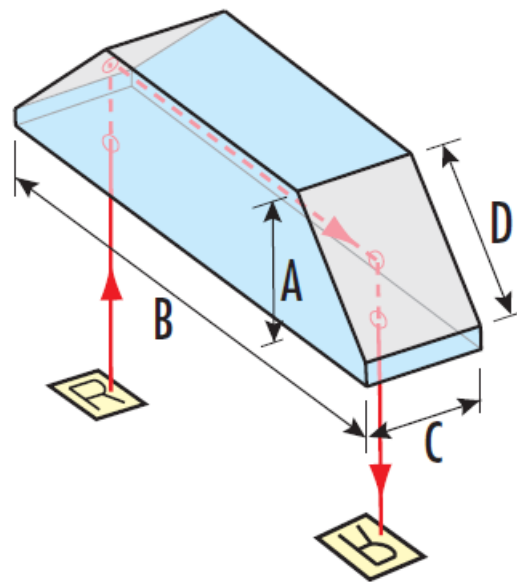


Image Rotation Ray Path

ALUMINIZED



Displaced Retroreflector Ray Path