

TECHSPEC® 10mm, MgF₂ Coated, Penta Prism



Stock **#32-030** **5 In Stock**

⊖ 1 ⊕ £70⁰⁰

ADD TO CART

Volume Pricing	
Qty 1-5	£70.00 each
Qty 6-25	£56.00 each
Qty 26-49	£52.40 each
Need More?	Request Quote

ⓘ Prices shown are exclusive of VAT/local taxes

Product Downloads

SPECIFICATIONS

General

Type:

Penta Prism

Physical & Mechanical Properties

Length (mm):

10.00

Dimensional Tolerance (mm):

±0.10

Bevel:

Protective as needed

Length of Legs (mm):

10.00

Optical Properties

Coating:

MgF₂ & Aluminized

Substrate:

[N-BK7](#)

Surface Quality:

60-40

Image Orientation:

Right-Handed

Coating Specification:

Entrance/Exit Faces: R_{avg} ≤ 1.75% @ 400 - 700nm
Reflecting Surfaces: Aluminized, Inconel & Black Paint

Ray Deviation (°):

90

Wavelength Range (nm):

400 - 700

Damage Threshold, By Design:

Entrance & Exit Faces: 10 J/cm² @ 532nm, 10ns
Reflecting Surfaces: 0.3 J/cm² @ 532 & 1064nm, 10ns

Beam Deviation Tolerance (arcmin):

±5

Power (fringes) @ 632.8nm:

1.00

Irregularity (fringes) @ 632.8nm:

0.25

Regulatory Compliance

RoHS 2015:

[Compliant](#)

Reach 223:

[Compliant](#)

Certificate of Conformance:

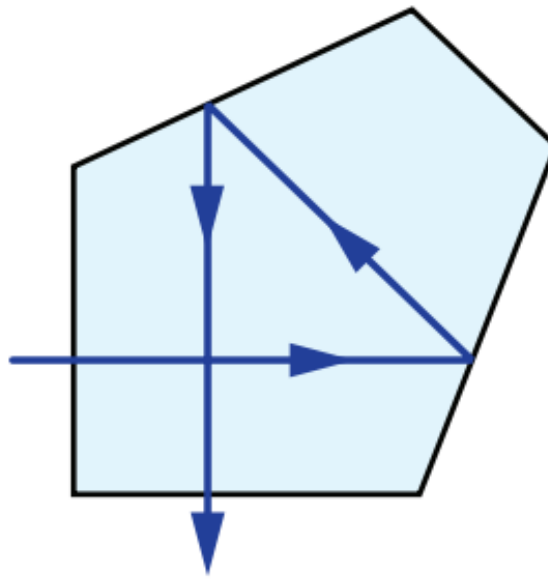
[View](#)

PRODUCT DETAILS

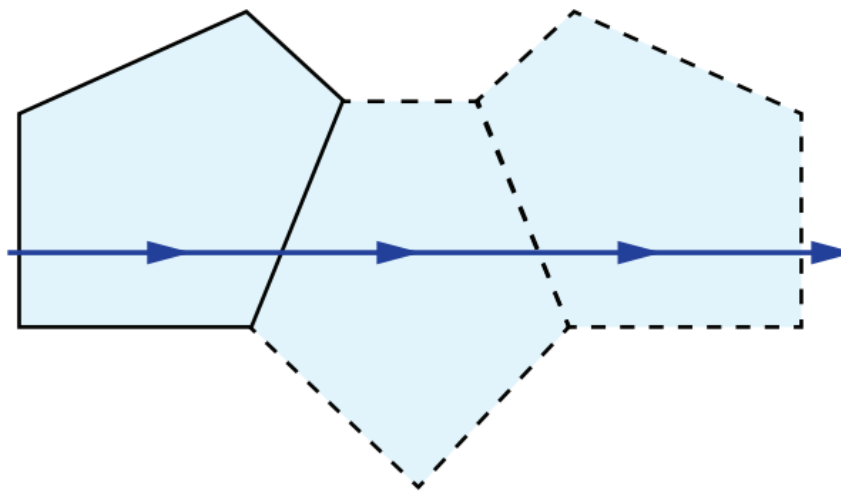
- Ray Deviation of 90°
- Right Handed Image
- Optical Tool for Defining a Right Angle
- Additional [Penta Prism](#) Options Available

TECHSPEC® N-BK7 Penta Prisms are five-sided prisms featuring a ray deviation of 90° and a right-handed image. The reflecting surfaces are aluminized. Slight movement of the prism does not affect the true right angle at which light rays are reflected, making a penta prism the ideal optical tool for defining a right angle in an optical system. TECHSPEC® N-BK7 Penta Prisms are made from precision N-BK7 for use in a variety of visible light applications. These prisms are offered with a VIS 0° or MgF₂ coating, in a variety of sizes.

TECHNICAL INFORMATION

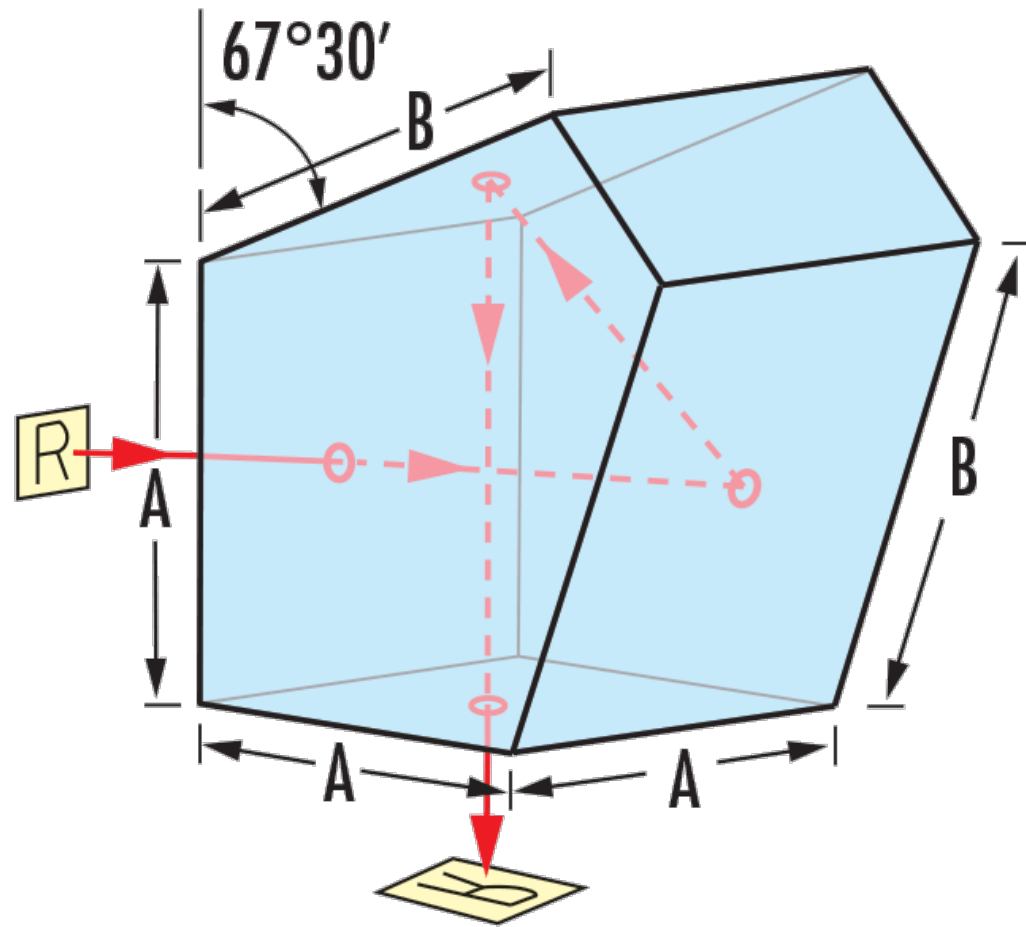


Penta Prism Ray Path



Penta Prism Tunnel Diagram

Stock No.	Coating	Dimensions	
		A	B
#85-159	VS 0°	0.50	0.60
#85-160	VS 0°	1.00	1.20
#45-112	MgF ₂	5.00	6.10
#48-595	VS 0°		
#32-030	MgF ₂	10.00	11.95
#48-596	VS 0°		
#43-502	MgF ₂	15.00	15.96
#48-597	VS 0°		
#31-051	MgF ₂	20.00	21.65
#48-598	VS 0°		
#42-779	MgF ₂	25.00	27.90
#47-458	MgF ₂		
#48-599	VS 0°	30.00	32.47
#45-073	MgF ₂		
#48-600	VS 0°	35.00	37.88
#45-402	MgF ₂		
#48-601	VS 0°	40.00	43.30
#45-674	MgF ₂		
#48-602	VS 0°	45.00	48.71
#45-675	MgF ₂		
#48-603	VS 0°	50.00	54.12
#45-676	MgF ₂		
#47-459	MgF ₂		
#48-604	VS 0°		



CUSTOM

Edmund Optics offers comprehensive custom manufacturing services for optical and imaging components tailored to your specific application requirements. Whether in the prototyping phase or preparing for full-scale production, we provide flexible solutions to meet your needs. Our experienced engineers are here to assist—from concept to completion.

Our capabilities include:

- Custom dimensions, materials, coatings, and more
- High-precision surface quality and flatness
- Tight tolerances and complex geometries
- Scalable production—from prototype to volume

Learn more about our [custom manufacturing capabilities](#) or submit an inquiry [here](#).