

[See all 97 Products in Family](#)

**TECHSPEC® 10mm FL f/2.5, Blue Series IR-Cut M12 Lens**



Stock #24-454 **3 In Stock**

- 1 + £66.<sup>00</sup>

**ADD TO CART**

Volume Pricing	
Qty 1-49	£66.00 each
Qty 50+	£53.00 each
Need More?	<a href="#">Request Quote</a>

ⓘ Prices shown are exclusive of VAT/local taxes

Product Downloads

**General**

Blue Series **Product Family:**

M12 Imaging Lens **Type:**

Yes **IR Cut Filter:**

IR-Cut Filter

Special Type of Lens:

## Physical & Mechanical Properties

Fixed	Iris Option:
17.00	Length (mm):
14	Maximum Diameter (mm):
14	Outer Diameter (mm):
5	Weight (g):

## Optical Properties

Horizontal Field of View @ Max Sensor Format:  
27.1°

Field of View at Max Sensor Format:  
Horizontal: 71.8mm - 27.1°  
Vertical: 53.8mm - 20.5°  
Diagonal: 89.9mm - 33.6°

Horizontal Field of View, 1/3" Sensor:  
71.8mm - 27.1°

Horizontal Field of View, 1/4" Sensor:  
53.8mm - 20.5°

Maximum Image Circle (mm):  
6.00

Numerical Aperture NA, Object Side:  
0.0126

Number of Elements (Groups):  
5(4)

Wavelength Range (nm):  
400 - 700

Focal Length FL (mm):  
10.00

Working Distance (mm):  
150 - ∞

Aperture (f#):  
f/2.5

Distortion (%):  
-0.25 @ Full Field

Back Focal Length BFL (mm):  
6.6 - 6.3

Coating Specification:  
λ/4 MgF<sub>2</sub> @ 550nm

Entrance Pupil Position (mm):  
8.45

Object Space Principal Plane (mm):  
8.24

Image Space Principal Plane (mm):  
-3.29

Maximum Distortion (%):  
-0.25

Exit Pupil Position (mm):  
-3.08

Lens Wavelength Range:  
VIS (IR-Cut Filter)

## Sensor

1/3"	Maximum Sensor Format:
1.40	Pixel Size (μm):

## Threading & Mounting

N/A	Filter Thread:
S-Mount (M12 x0.5)	Mount:

## Regulatory Compliance

RoHS 2015:  
Compliant

## Product Details

- Up to 1/2", S-Mount Lens
- Up to 5 MegaPixels, 1.4µm Pixel Size Sensors
- High Resolution Board Camera Lens Optimized for Close WD
- 2mm to 35mm Focal Length
- [Ruggedized Designs](#) Also Available

TECHSPEC® Blue Series M12 Lenses feature high resolution performance, along with the same great versatility of our [TECHSPEC® Green Series M12 Lenses](#). Each lens consists of several precision glass elements mounted in a compact, aluminum housing. These lenses can connect to C-Mount cameras using the M12 x 0.5 Adapter for C-Mount Cameras ([#53-675](#)) or the M12 x 0.5 C-Mount Adapter with Rubber O-Ring ([#59-241](#)) for vibration-sensitive environments. TECHSPEC® Blue Series M12 Lenses are ideal for automotive, industrial, and medical imaging application. Prescription data is available by submitting a [Request for Prescription Form](#).

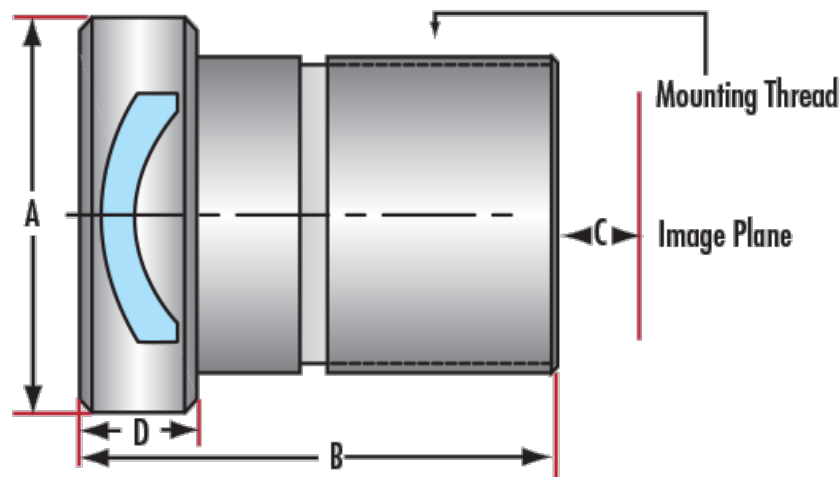
**Note:** Compatible [TECHSPEC® M12 Imaging Lens Accessories](#) available.

Edmund Optics has created multiple product families of our TECHSPEC® M12 S-Mount Lenses, which are designed to provide high resolution. These high performance lenses feature precision glass designs in a metal housing and have optimized specifications between each product family to meet your application needs.

- **Blue Series M12 Lenses:** High resolution finite conjugate designs optimized for machine vision working distances.
- **Rugged Blue Series M12 Lenses:** [Stabilized ruggedization](#) versions of our Blue Series M12 Lenses, utilizing the same optics.
- **Green Series M12 Lenses:** Finite conjugate designs optimized for machine vision working distances.
- **Red Series M12 Lenses:** Infinite conjugate designs optimized for high resolution performance out to infinity.
- **HEO Series M12 Lenses:** Harsh Environment Optics (HEO) sealed versions of our Red Series M12 Lenses.
- **Liquid Lens M12 Lenses:** Integrated liquid lens for fast electronic focus.

## Technical Information

Focal Length	A	B	C*	D
2.0mm	18.0mm	21.7mm	2.26mm	4.75mm
3.0mm	14.0mm	17.1mm	4.8 - 4.7mm	5.8mm
4.0mm	14.0mm	19.7mm	6.1 - 6.0mm	4.4mm
5.0mm	14.0mm	14.6mm	4.0 - 3.9mm	3.7mm
6.0mm	14.0mm	14.1mm	6.9 - 6.8mm	4.5mm
8.0mm	14.0mm	12.3mm	8.8 - 8.6mm	3.7mm
10.0mm	14.0mm	17.0mm	6.6 - 6.3mm	3.7mm
12.5mm	15.0mm	22.9mm	10.1 - 9.7mm	4.8mm
17.5mm	14.0mm	20.7mm	5.8 - 4.9mm	7.6mm
25.0mm	18.0mm	30.0mm	8.5 - 6.5mm	11.5mm
35.0mm	18.0mm	29.5mm	18.72 - 14.0mm	14.5mm



\*Specified for Optimized Working Distance of 150 - 250mm.

