

## 0.8mW 220V Linear, HeNe Laser



Low-Noise Lumentum Helium-Neon Laser with self-contained power supply

Stock **#61-374** [CONTACT US](#)

⊖ 1 ⊕ £1,288<sup>00</sup>

**ADD TO CART**

### Volume Pricing

|            |                               |
|------------|-------------------------------|
| Qty 1+     | £1,288.00 each                |
| Need More? | <a href="#">Request Quote</a> |

ⓘ Prices shown are exclusive of VAT/local taxes

### Product Downloads



### General

10.00 **Warm-Up Time (minutes):**

**Note:**  
For Use in European Markets that Utilize 220V or  
Requires a 110V to 220V Inversion

Lumentum **Manufacturer:**

HeNe **Type of Laser:**

|   |   |
|---|---|
| IIIa  | <b>Laser Class - CDRH:</b>                          |
| 12,000  | <b>Operating Lifetime (hours):</b>                  |
| 1507P-2   | <b>Model Number:</b>                                |
| <b>Physical &amp; Mechanical Properties</b>   |   |
| 2.50 x 2.00 x 7.00  | <b>Dimensions (inches):</b>                         |
| 1.20  | <b>Weight (lbs):</b>                                |
| <b>Optical Properties</b>   |   |
| 500:1   | <b>Polarization:</b>                                |
| >95% TEM <sub>00</sub>  | <b>Spatial Mode:</b>                                |
| 632.80  | <b>Wavelength (nm):</b>                             |
| ±3  | <b>Beam Diameter Tolerance (%):</b>                 |
| ±3  | <b>Beam Divergence Tolerance (%):</b>               |
| 0.48  | <b>Beam Diameter (mm):</b>                          |
| 1.7   | <b>Beam Divergence (mrad):</b>                      |
| Red   | <b>Color:</b>                                       |
| <b>Electrical</b>   |   |
| >0.8  | <b>Output Power (mW):</b>                           |
| ±2.5  | <b>Power Stability (%):</b>                         |
| 30 Hz - 10 MHz 1.0%   | <b>RMS Noise:</b>                                   |
| 1090  | <b>Longitudinal Mode Spacing, Nominal (MHz):</b>    |
| 0.8   | <b>Minimum Output Power, TEM<sub>00</sub> (mW):</b> |
| <b>Hardware &amp; Interface Connectivity</b>  |   |
| <b>Power Supply:</b><br>Power Supply Required and Sold Separately.<br>USA: <a href="#">#11-378</a><br>Europe: <a href="#">#35-224</a><br>Japan: Not Available<br>Korea: Not Available<br>China: <a href="#">#11-378</a> |   |
| Free Space  | <b>Output Type:</b>                                 |
| 220   | <b>Input Voltage (V):</b>                           |
| <b>Regulatory Compliance</b>  |   |
| <a href="#">Exempt</a>  | <b>RoHS 2015:</b>                                   |
| <a href="#">View</a>  | <b>Certificate of Conformance:</b>                  |

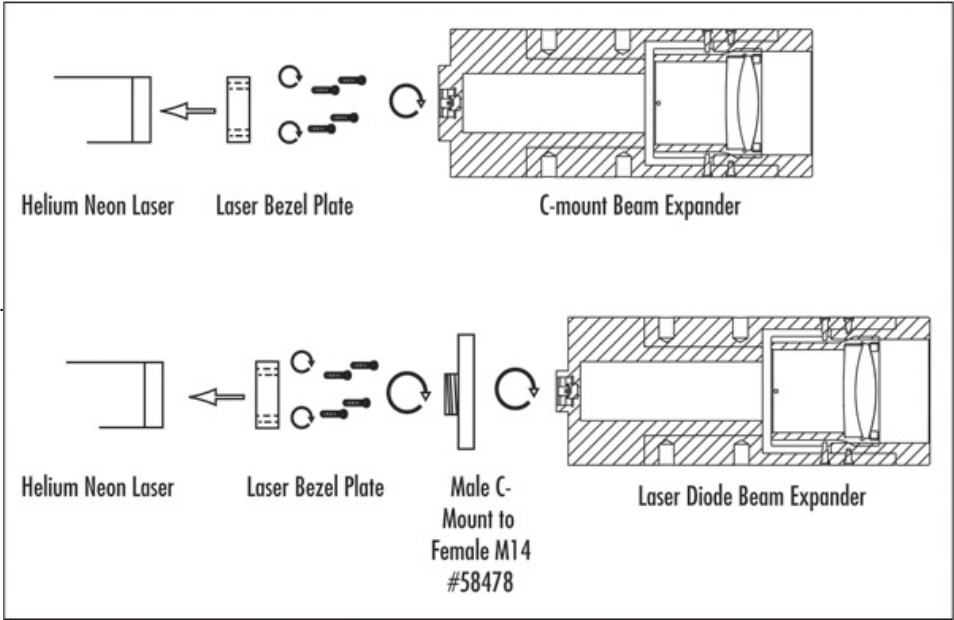
## Product Details

- Low Noise
- Self-Contained Power Supply
- Small Size

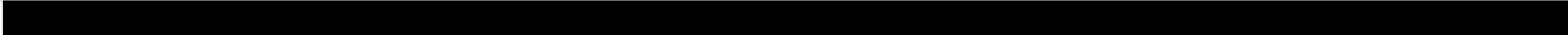
Lumentum Helium-Neon (HeNe) Lasers feature hard-sealed internal mirrors and small physical sizes. Due to low noise, the lasers offer increased laser reliability, greater design flexibility, and enhanced performance. The base of the laser is slotted for lab table mounting. These Lumentum HeNe Lasers also feature self-contained power supplies for simple system integration. Typical applications include alignment, metrology, and inspection.

**Note:** Lumentum was previously known as JDSU. These HeNe lasers comply with 21CFR1040 and IEC 825-1:1993.

## Technical Information



Beam Expander Mounting Configurations Click on an item below to be brought to that item's product page.



;