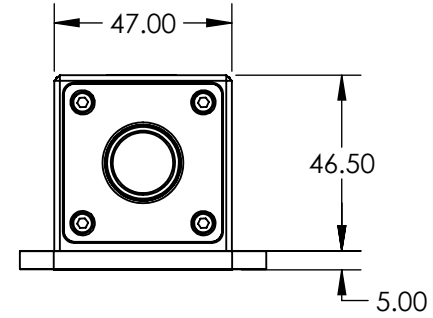
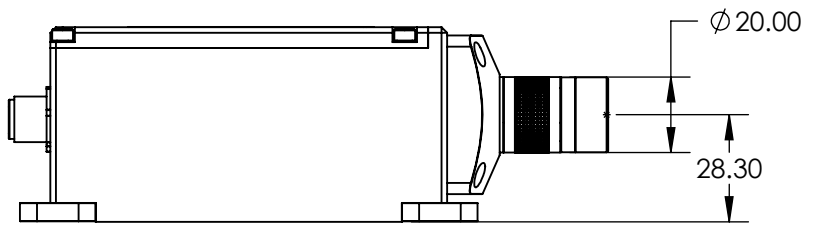
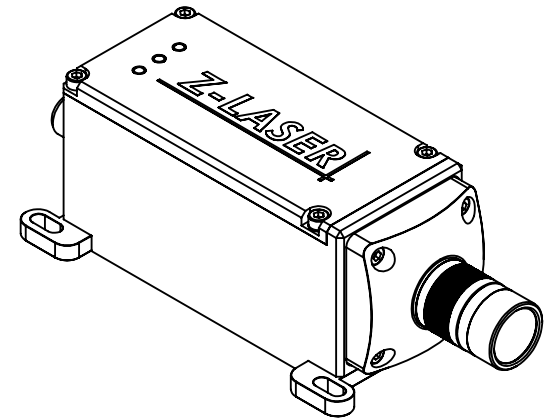
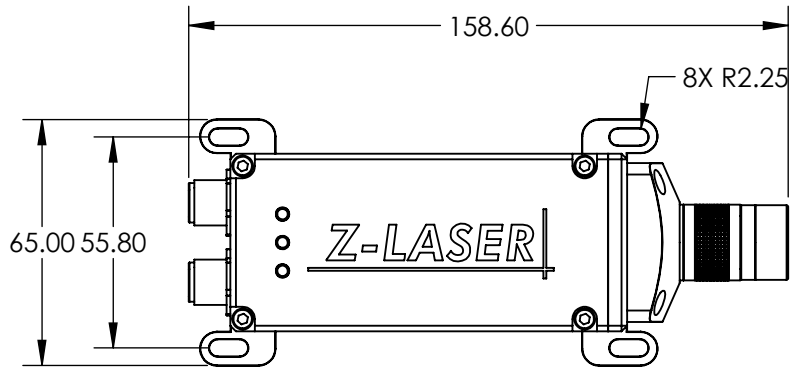


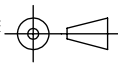
NOTES:  
1. ROHS COMPLIANT



**FOR INFORMATION ONLY:  
DO NOT MANUFACTURE  
PARTS TO THIS DRAWING**

SPECIFICATIONS SUBJECT TO CHANGE WITHOUT NOTICE  
DIMENSIONS ARE FOR REFERENCE ONLY

**EO**® Edmund Optics®

THIRD ANGLE PROJECTION 		TITLE	800mW, 660nm Laser ZQ1, 30°	
ALL DIMS IN	mm	DWG NO	19440	SHEET 1 OF 1