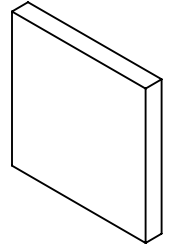


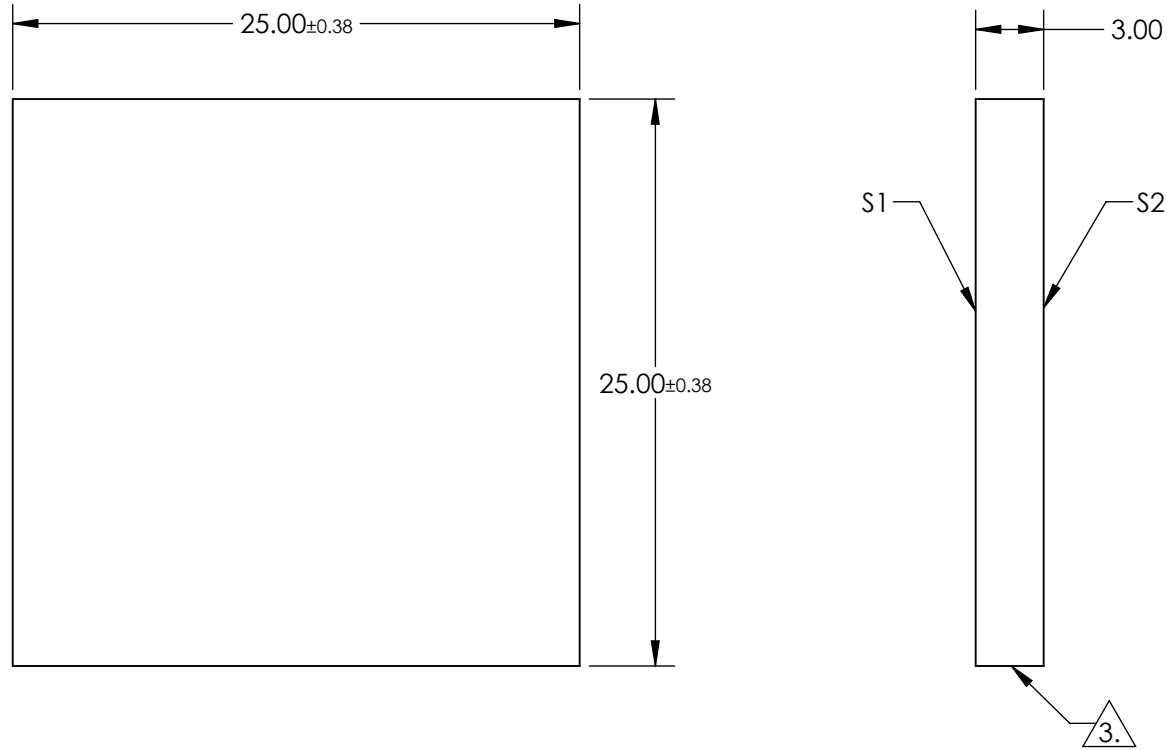
NOTES:

- 1. SUBSTRATE: Float Glass
- 2. COATING (APPLY ACROSS CLEAR APERTURE)
 S1: Dielectric, ±5% R/T @ 550nm
 S2: AR 1/4 WAVE MgF2 @ 550nm



3. CUT EDGES

4. ROHS COMPLIANT



**FOR INFORMATION ONLY:
DO NOT MANUFACTURE
PARTS TO THIS DRAWING**

SPECIFICATIONS SUBJECT TO CHANGE WITHOUT NOTICE
DIMENSIONS ARE FOR REFERENCE ONLY

	S1	S2
SHAPE	PLANO	PLANO
SURFACE QUALITY	80-50	80-50
SURFACE FLATNESS	4 - 6λ	4 - 6λ
BEVEL	PROTECTED AS NEEDED	PROTECTED AS NEEDED



ALL DIMS IN mm

EO® **Edmund Optics**®

TITLE

25 x 25mm, 50R/50T, AR Coated Plate
Beamsplitter

DWG NO

13405

SHEET
1 OF 1